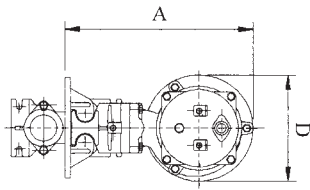
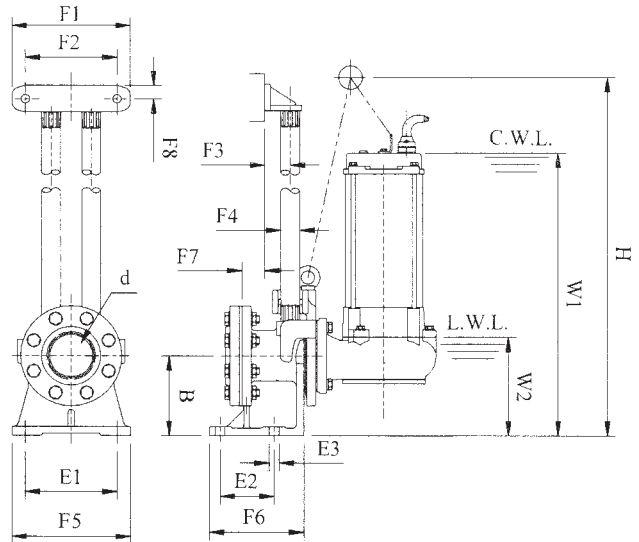
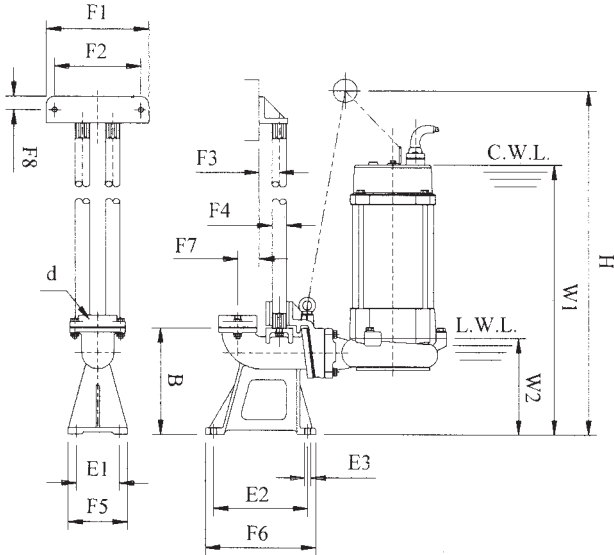
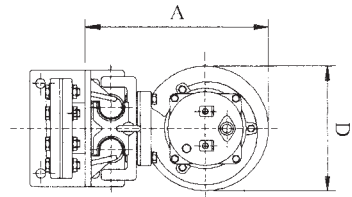


GUIDE RAIL DIMENSIONS

● SR50 (2")



● SR80 (3")
SR100 (4")



| Pump Type | Discharge Bore | Foundation | | | Guide Rail Fitting Section | | | | | | | | | | | | |
|-----------|----------------|------------|-----|-----|----------------------------|-----|-----|-----|-----|-----|-----|----|-----|-----|-----|----|----|
| | | d | E1 | E2 | E3 | A | B | D | H | F1 | F2 | F3 | F4 | F5 | F6 | F7 | F8 |
| JS250 | SV | 2" (50) | 80 | 175 | 10 | 330 | 200 | 135 | 495 | 190 | 150 | 38 | 25A | 110 | 205 | 36 | 25 |
| JS400 | SV | 2" (50) | 80 | 175 | 10 | 330 | 200 | 135 | 515 | 190 | 150 | 38 | 25A | 110 | 205 | 36 | 25 |
| JS650 | SV | 2" (50) | 80 | 175 | 10 | 343 | 200 | 135 | 550 | 190 | 150 | 38 | 25A | 110 | 205 | 36 | 25 |
| JS750 | SV | 3" (80) | 170 | 100 | 18 | 405 | 260 | 170 | 645 | 225 | 170 | 49 | 32A | 225 | 180 | 43 | 20 |
| JS1500 | SV | 3" (80) | 170 | 100 | 18 | 315 | 150 | 195 | 715 | 225 | 170 | 49 | 32A | 220 | 175 | 43 | 20 |
| JST4 | SV | 2" (50) | 80 | 175 | 10 | 330 | 200 | 135 | 495 | 190 | 150 | 38 | 25A | 110 | 205 | 36 | 25 |
| JST8 | SV | 3" (80) | 170 | 100 | 18 | 405 | 260 | 170 | 585 | 225 | 170 | 49 | 32A | 225 | 180 | 43 | 20 |
| JST15 | SV | 3" (80) | 170 | 100 | 18 | 315 | 150 | 195 | 630 | 225 | 170 | 49 | 32A | 220 | 175 | 43 | 20 |
| JST22 | SV | 3" (80) | 170 | 100 | 18 | 355 | 150 | 255 | 685 | 240 | 170 | 49 | 32A | 220 | 175 | 43 | 20 |
| JST37 | SV | 3" (80) | 170 | 100 | 18 | 355 | 150 | 255 | 760 | 240 | 170 | 49 | 32A | 220 | 175 | 43 | 20 |
| JST22 | SV4 | 3" (80) | 170 | 100 | 18 | 395 | 150 | 255 | 725 | 225 | 170 | 49 | 32A | 220 | 175 | 43 | 20 |
| JST37 | SV4 | 3" (80) | 170 | 100 | 18 | 395 | 150 | 255 | 740 | 225 | 170 | 49 | 32A | 220 | 175 | 43 | 20 |
| JST55 | SV4 | 4" (100) | 200 | 150 | 19 | 510 | 180 | 315 | 865 | 240 | 200 | 60 | 32A | 250 | 225 | 43 | 18 |
| JST75 | SV4 | 4" (100) | 200 | 150 | 19 | 510 | 180 | 315 | 925 | 240 | 200 | 60 | 32A | 250 | 225 | 43 | 18 |

| | | | | | | | | | | | | | | | | | |
|--------|----|----------|-----|-----|----|-----|-----|-----|-----|-----|-----|----|-----|-----|-----|----|----|
| JS750 | SK | 2" (50) | 80 | 175 | 10 | 340 | 200 | 195 | 660 | 190 | 150 | 38 | 25A | 110 | 205 | 36 | 25 |
| JS1500 | SK | 3" (80) | 170 | 100 | 18 | 320 | 150 | 240 | 665 | 225 | 170 | 49 | 32A | 220 | 175 | 43 | 20 |
| JST8 | SK | 2" (50) | 80 | 175 | 10 | 340 | 200 | 195 | 600 | 195 | 150 | 38 | 25A | 110 | 205 | 36 | 25 |
| JST15 | SK | 3" (80) | 170 | 100 | 18 | 320 | 150 | 240 | 615 | 225 | 170 | 49 | 32A | 220 | 175 | 43 | 20 |
| JST22 | SK | 3" (80) | 170 | 100 | 18 | 345 | 150 | 250 | 680 | 225 | 170 | 49 | 32A | 220 | 175 | 43 | 20 |
| JST37 | SK | 4" (100) | 200 | 150 | 19 | 570 | 180 | 250 | 775 | 240 | 200 | 60 | 40A | 250 | 225 | 73 | 18 |
| JST55 | SK | 4" (100) | 200 | 150 | 19 | 525 | 180 | 260 | 825 | 240 | 200 | 60 | 40A | 250 | 225 | 73 | 18 |
| JST75 | SK | 4" (100) | 200 | 150 | 19 | 595 | 180 | 260 | 935 | 240 | 200 | 60 | 40A | 250 | 225 | 73 | 18 |

| | | | | | | | | | | | | | | | | | |
|--------|--|---------|----|-----|----|-----|-----|-----|-----|-----|-----|----|-----|-----|-----|----|----|
| GS1200 | | 2" (50) | 90 | 178 | 10 | 300 | 200 | 170 | 660 | 150 | 120 | 38 | 25A | 115 | 210 | 36 | 15 |
| GS1500 | | 2" (50) | 90 | 178 | 10 | 341 | 200 | 180 | 675 | 150 | 120 | 38 | 25A | 115 | 210 | 36 | 15 |
| GST12 | | 2" (50) | 90 | 178 | 10 | 336 | 200 | 170 | 615 | 150 | 120 | 38 | 25A | 115 | 210 | 36 | 15 |
| GST15 | | 2" (50) | 90 | 178 | 10 | 341 | 200 | 180 | 620 | 150 | 120 | 38 | 25A | 115 | 210 | 36 | 15 |
| GST22 | | 2" (50) | 90 | 178 | 10 | 366 | 200 | 206 | 680 | 150 | 120 | 38 | 25A | 115 | 210 | 36 | 15 |
| GST37 | | 2" (50) | 90 | 178 | 10 | 366 | 200 | 206 | 740 | 150 | 120 | 38 | 25A | 115 | 210 | 36 | 15 |