

Classification

Electric submersible pump
 Protection class IP68
 Depth of submersion max. 30m
 Semi-vortex impeller
 Max. solid handling 8,5mm
 Suitable for rain water, ground water, sand carrying water

Electric Motor

Dry-type submersible induction motor,
 Insulation class E, 2 poles, 2850 r.p.m.
 Direct on line
 Voltage: 400V, 50Hz, 3-phase
 Power input: 1,87kW
 Power output: 1,50kW
 Nominal current: 3,3A
 Start current: 19,0A

Electric Cable

20m HO7RN-F 4Cx1,5mm²

Motor Protection

Circle thermal protector
 (snap-action bi-metal device)

Shaft Seal

Double mechanical seal in oil bath
 additional lubrication by oil lifting device
 Primary Seal:
 silicon carbide on silicon carbide
 Secondary Seal:
 silicon carbide on silicon carbide

Bearings

Shielded ball bearings, maintenance-free

Materials

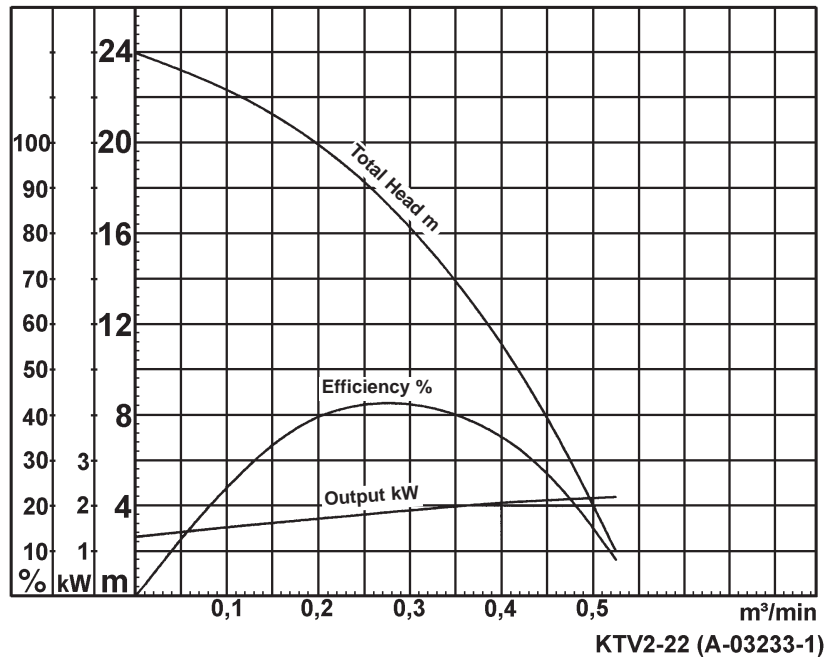
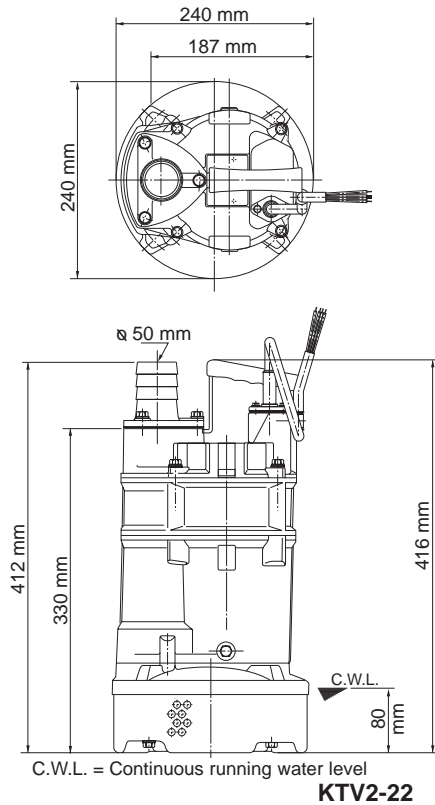
Impeller: FCD700 (EN-GJS-700-2)
 Casing: Synthetic rubber
 Motor frame: Aluminium alloy casting
 Shaft: SUS403 (EN-X6Cr13)

Discharge Connection

2" (50mm) hose coupling

Weight

19,5 kg (dry weight of the pump without cable)



Classification

Electric submersible pump
Protection class IP68
Depth of submersion max. 30m
Semi-vortex impeller
Max. solid handling 8,5mm
Suitable for rain water, ground water, sand carrying water

Electric Motor

Dry-type submersible induction motor,
Insulation class E, 2 poles, 2850 r.p.m.
Direct on line start
Voltage: 400V, 50Hz, 3-phase
Power input: 2,72kW
Power output: 2,20kW
Nominal current: 4,3A
Start current: 30,0A

Electric Cable

20m HO7RN-F 4Cx1,5mm²

Motor Protection

Circle thermal protector
(snap-action bi-metal device)

Shaft Seal

Double mechanical seal in oil bath
additional lubrication by oil lifting device
Primary Seal:
silicon carbide on silicon carbide
Secondary Seal:
silicon carbide on silicon carbide

Bearings

Shielded ball bearings, maintenance-free

Materials

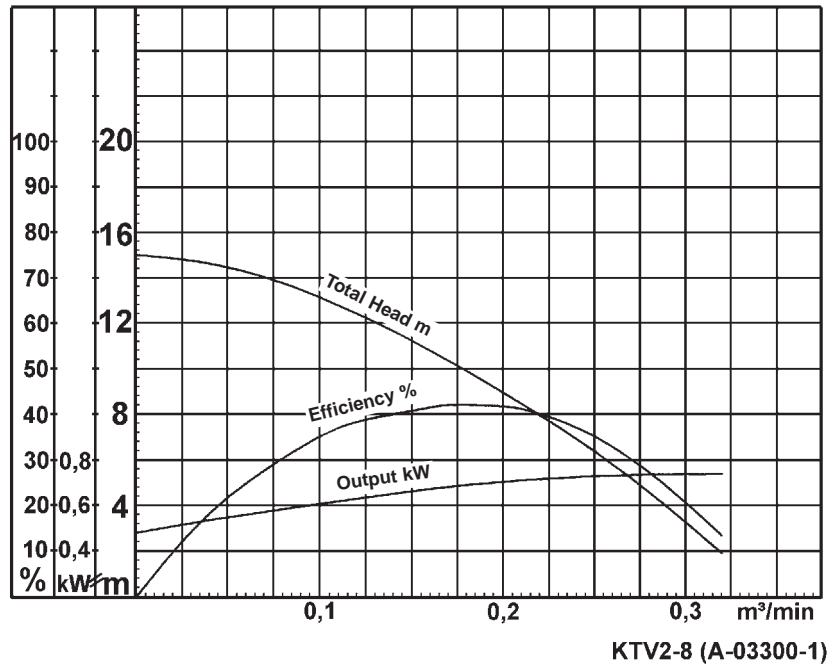
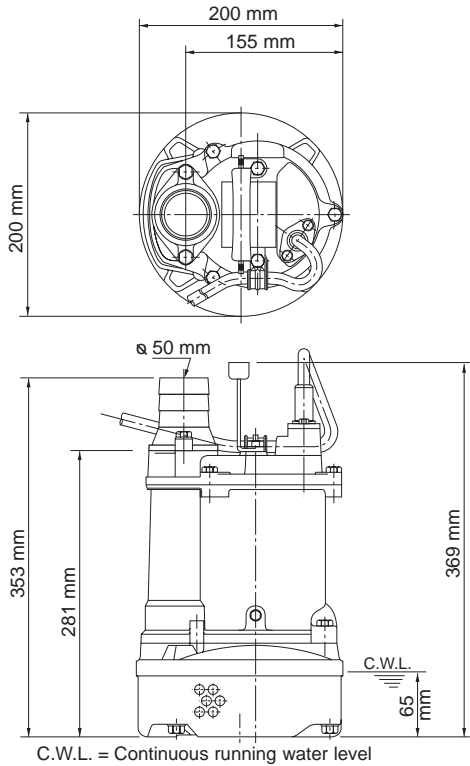
Impeller: FCD700 (EN-GJS-700-2)
Casing: Synthetic rubber
Motor frame: Aluminium alloy casting
Shaft: SUS403 (EN-X6Cr13)

Discharge Connection

2" (50mm) hose coupling

Weight

23,0 kg (dry weight of the pump without cable)



KTV2-8 (A-03300-1)

Classification

Electric submersible pump
 Protection class IP68
 Depth of submersion max. 20m
 Semi-vortex impeller
 Max. solid handling 6mm
 Suitable for rain water, ground water, sand carrying water

Electric Motor

Dry-type submersible induction motor,
 Insulation class E, 2 poles, 2850 r.p.m.
 Direct on line start
 Voltage: 400V, 50Hz, 3-phase
 Power input: 1,1kW
 Power output: 0,75kW
 Nominal current: 1,8A
 Start current: 9,0A

Electric Cable

10m HO7RN-F 4Cx1,5mm²

Motor Protection

Circle thermal protector
 (snap-action bi-metal device)

Shaft Seal

Double mechanical seal in oil bath
 additional lubrication by oil lifting device
 Primary Seal:
 silicon carbide on silicon carbide
 Secondary Seal:
 carbon on ceramic

Bearings

Shielded ball bearings, maintenance-free

Materials

Impeller: Urethane rubber
 Casing: Synthetic rubber
 Motor frame: Aluminium alloy casting
 Shaft: SUS420J2 (EN-X30Cr13)

Discharge Connection

2" (50mm) hose coupling

Weight

11,5 kg (dry weight of the pump without cable)