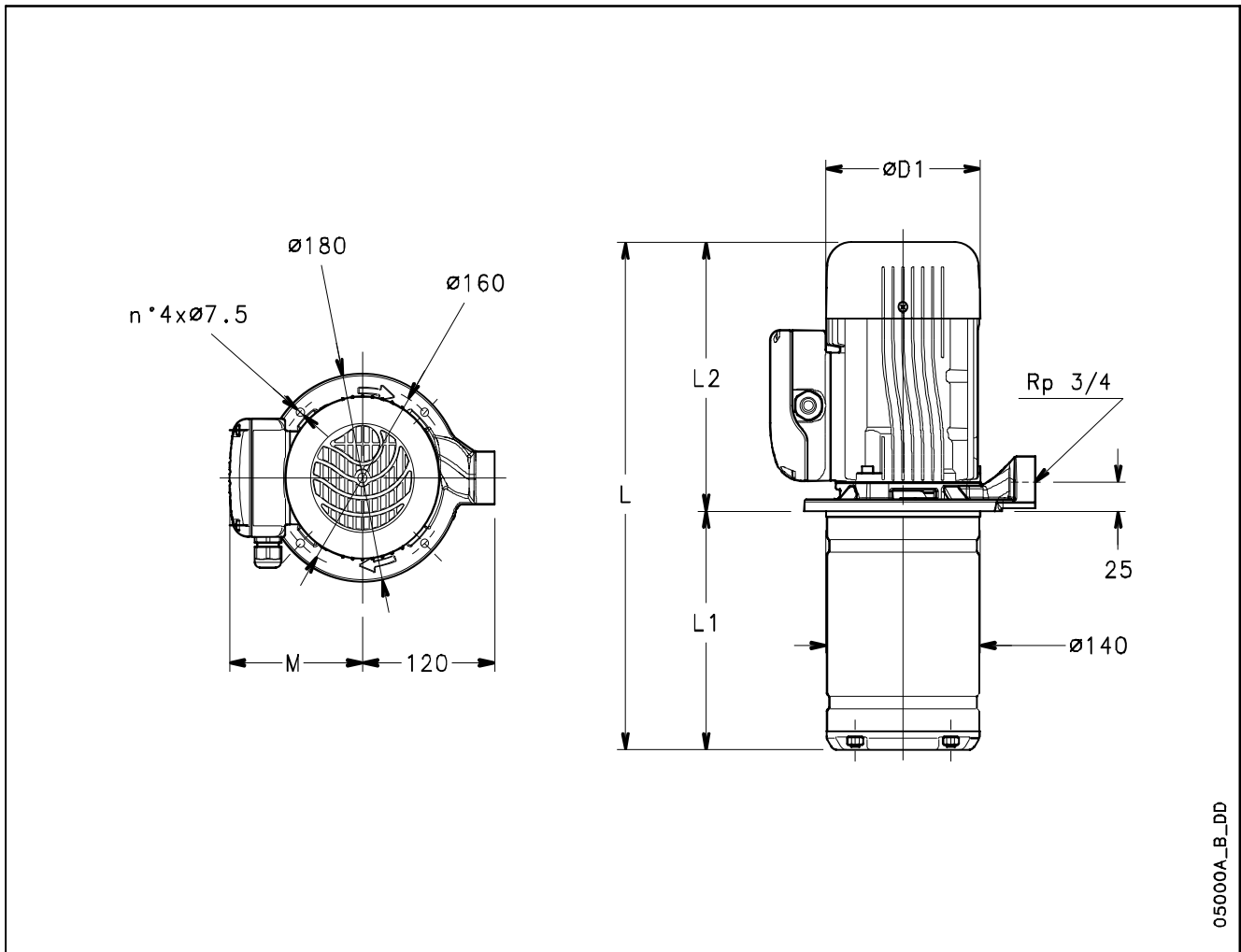




# ITT

# POMPOIRECT

## SVI 2 (E, EN) SERIES DIMENSIONS AND WEIGHTS



05000A\_B\_DD

PUMP TYPE	MOTOR		DIMENSIONS (mm)					ELECTRIC PUMP WEIGHT kg
	kw	SIZE	L	L1	L2	M	D1	
SVI201/03E03T	0,37	63	324	106	218	111	120	8,8
SVI202/03E03T	0,37	63	324	106	218	111	120	8,9
SVI203/03E04T	0,45	63	324	106	218	111	120	9,8
SVI204/04E05T	0,55	63	349	131	218	111	120	10,6
SVI205/05E07T	0,75	71	388	156	232	121	140	13,5
SVI206/06E07T	0,75	71	413	181	232	121	140	13,9
SVI207/07E09T	0,9	71	438	206	232	121	140	15

svi2e-2p50-en\_b\_td

N. OF IMPELLERS	PUMP TYPE	MOTOR		DIMENS. L2 mm	NUMBER OF STAGES							
		kw	SIZE		3	4	5	6	7	8	10	13
					L1 Shank lengths in mm ( AVAILABLE ON REQUEST )							
	SVI201/..	0,37	63	218	106	131	156	181	206	231	281	356
	SVI202/..	0,37	63	218	106	131	156	181	206	231	281	356
	SVI203/..	0,45	63	218	106	131	156	181	206	231	281	356
	SVI204/..	0,55	63	218		131	156	181	206	231	281	356
	SVI205/..	0,75	71	232			156	181	206	231	281	356
	SVI206/..	0,75	71	232				181	206	231	281	356
	SVI207/..	0,9	71	232					206	231	281	356

svi2e-en\_a\_tcm

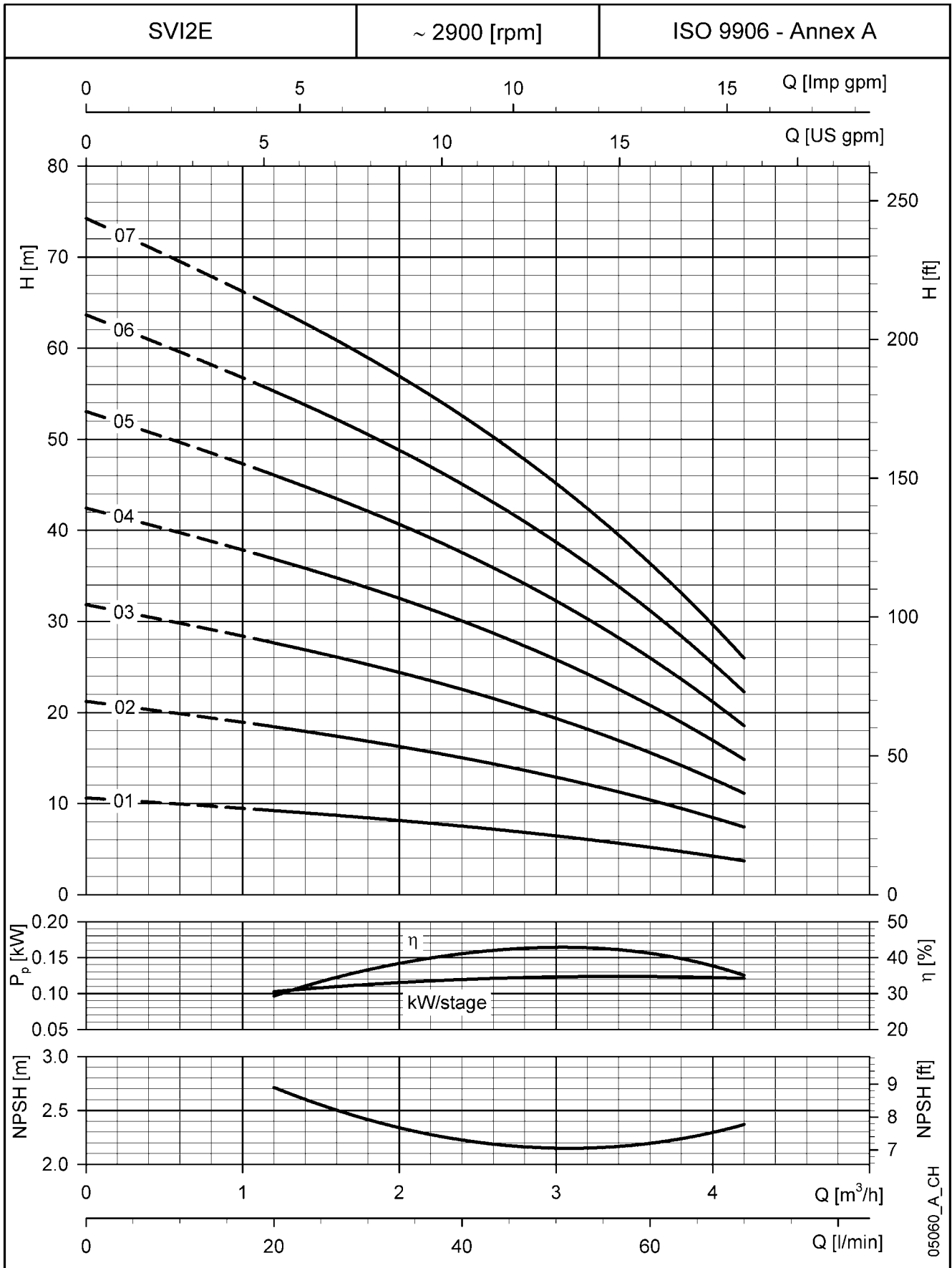
Tel. 0294-457712 Fax 0294-457713



# ITT

# POMPOIRECT

## SVI 2 (E, EN) SERIES OPERATING CHARACTERISTICS AT 50 Hz, 2 POLES



These performances are valid for liquids with density  $\rho = 1.0 \text{ Kg/dm}^3$  and kinematic viscosity  $\nu = 1 \text{ mm}^2/\text{sec}$ .

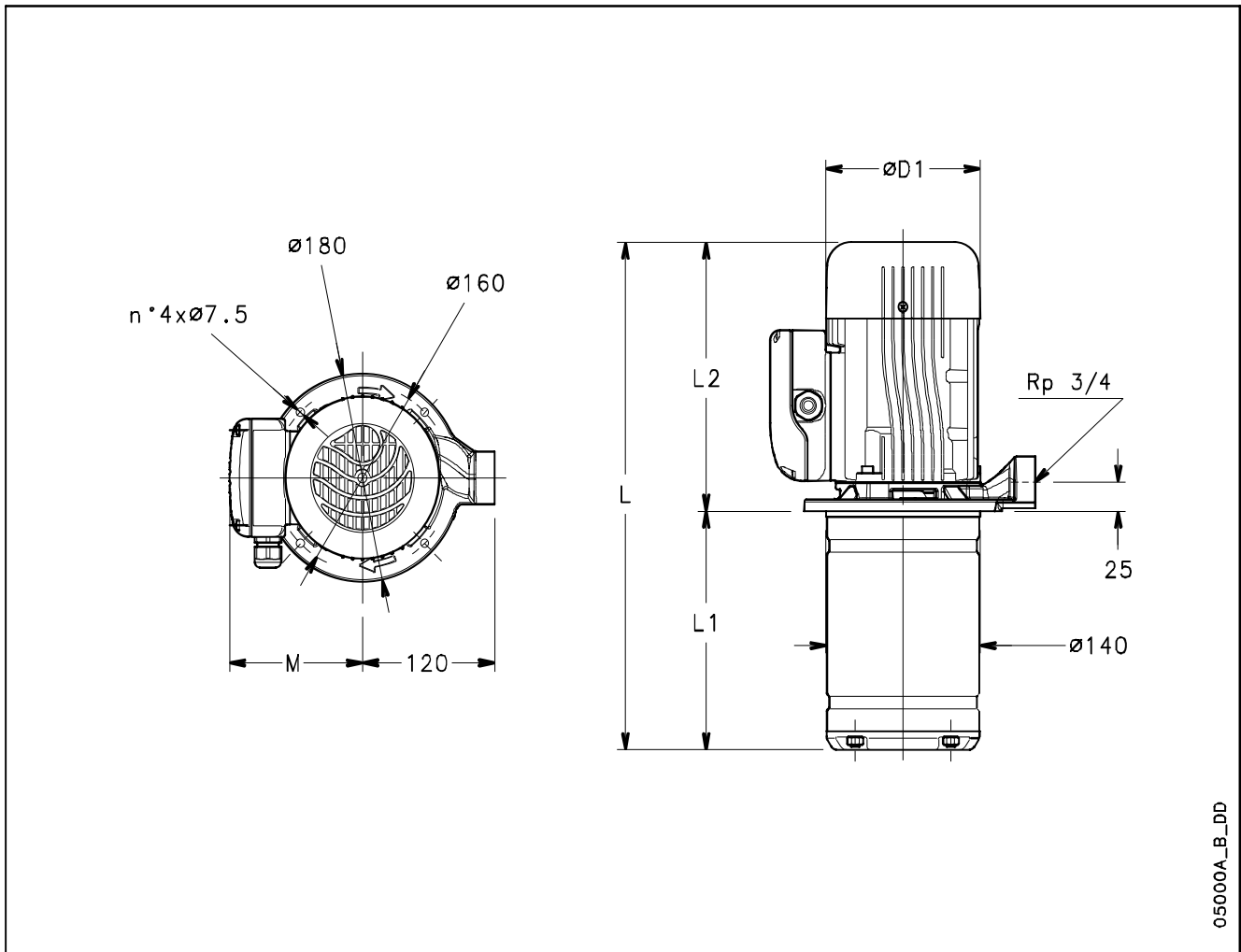
Tel. 0294-457712 Fax 0294-457713



# ITT

# POMPOIRECT

## SVI 4 (E, EN) SERIES DIMENSIONS AND WEIGHTS



05000A\_B\_DD

PUMP TYPE	MOTOR		DIMENSIONS (mm)					ELECTRIC PUMP WEIGHT kg
	kw	SIZE	L	L1	L2	M	D1	
SVI401/03E03T	0,37	63	324	106	218	111	120	8,8
SVI402/03E03T	0,37	63	324	106	218	111	120	8,9
SVI403/03E04T	0,45	63	324	106	218	111	120	9,8
SVI404/04E05T	0,55	63	349	131	218	111	120	10,6
SVI405/05E07T	0,75	71	388	156	232	121	140	13,5
SVI406/06E09T	0,9	71	413	181	232	121	140	14,6

svi4e-2p50-en\_b\_td

N. OF IMPELLERS	PUMP TYPE	MOTOR		DIMENS. L2 mm	NUMBER OF STAGES							
		kw	SIZE		3	4	5	6	7	8	10	13
		L1 Shank lengths in mm ( AVAILABLE ON REQUEST )										
	SVI401/..	0,37	63	218	106	131	156	181	206	231	281	356
	SVI402/..	0,37	63	218	106	131	156	181	206	231	281	356
	SVI403/..	0,45	63	218	106	131	156	181	206	231	281	356
	SVI404/..	0,55	63	218		131	156	181	206	231	281	356
	SVI405/..	0,75	71	232			156	181	206	231	281	356
	SVI406/..	0,99	71	232				181	206	231	281	356

svi4e-en\_a\_tcm

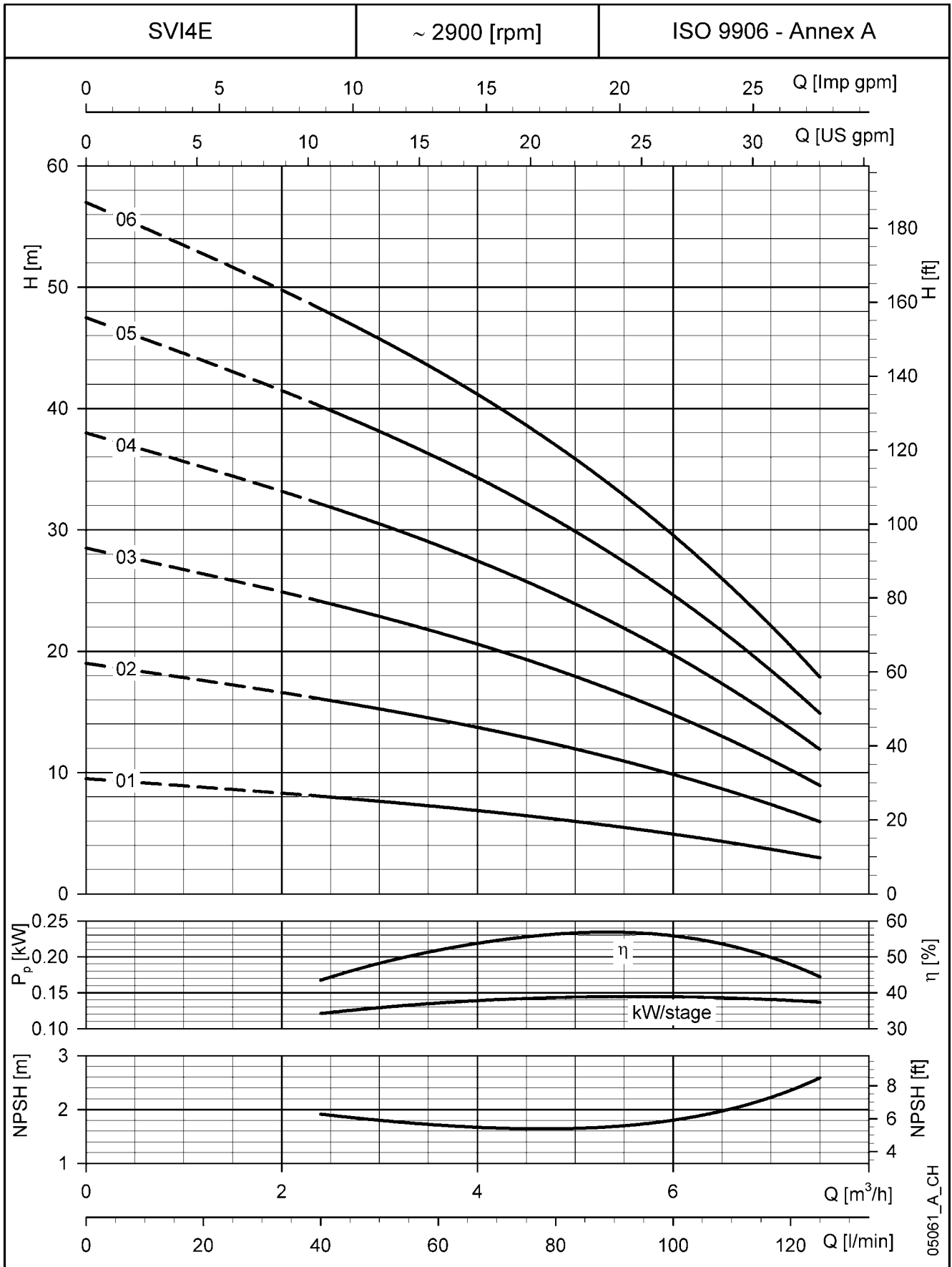
Tel. 0294-457712 Fax 0294-457713



# ITT

# POMPOIRECT

## SVI 4 (E, EN) SERIES OPERATING CHARACTERISTICS AT 50 Hz, 2 POLES



These performances are valid for liquids with density  $\rho = 1.0 \text{ Kg/dm}^3$  and kinematic viscosity  $\nu = 1 \text{ mm}^2/\text{sec}$ .

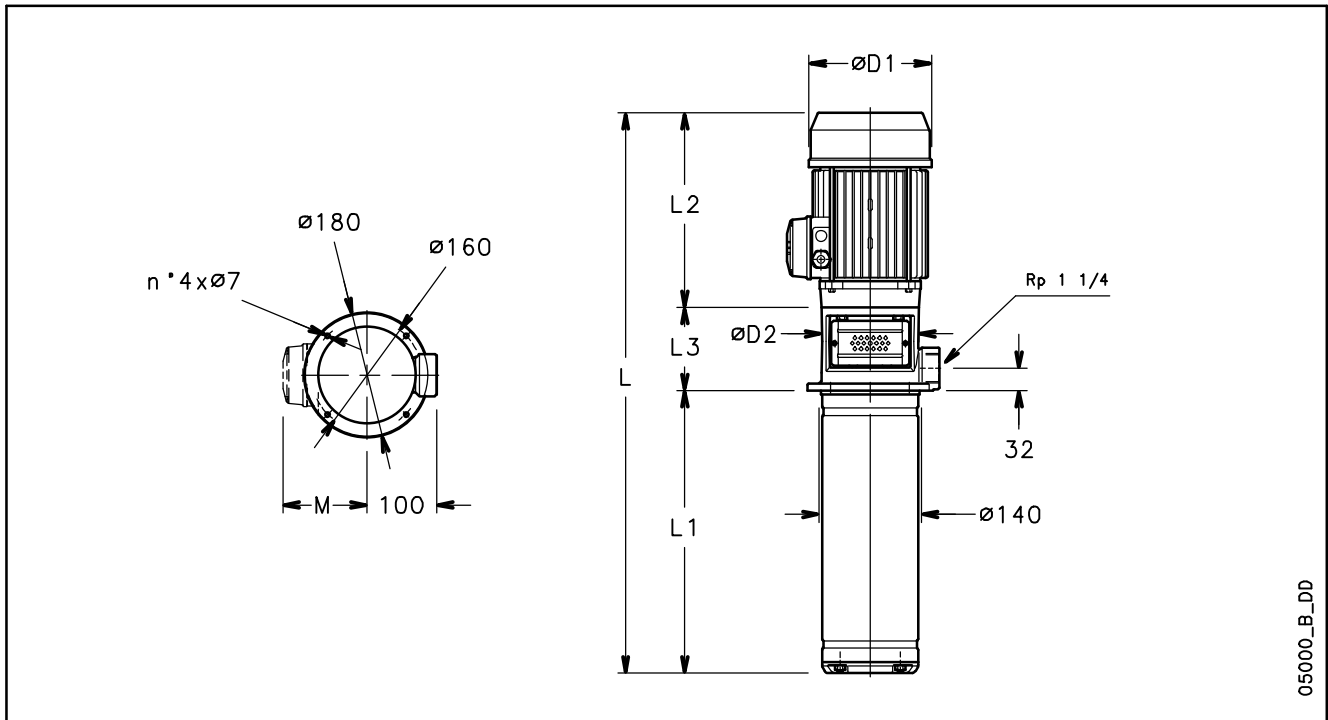
Tel. 0294-457712 Fax 0294-457713



# ITT

# POMPOIRECT

## SVI 2 (S, N) SERIES DIMENSIONS AND WEIGHTS



05000\_B\_DD

PUMP TYPE	MOTOR		DIMENSIONS (mm)							ELECTRIC PUMP WEIGHT	
	kW	SIZE	L	L1	L2	L3	M	D1	D2	kg	
SVI202/02S03T	0,37	71	416	107	209	100	111	120	105	14	
SVI203/03S03T	0,37	71	441	132	209	100	111	120	105	14	
SVI204/04S05T	0,55	71	488	157	231	100	121	140	105	15	
SVI205/05S07T	0,75	80	518	182	226	110	121	140	120	18	
SVI206/06S07T	0,75	80	543	207	226	110	121	140	120	18	
SVI207/07S11T	1,1	80	604	231	263	110	129	155	120	19	
SVI208/08S11T	1,1	80	629	256	263	110	129	155	120	19	
SVI209/09S11T	1,1	80	654	281	263	110	129	155	120	20	
SVI211/11S15T	1,5	90	714	331	263	120	129	155	140	25	
SVI212/12S15T	1,5	90	739	356	263	120	129	155	140	25	
SVI214/14S22T	2,2	90	789	406	263	120	129	155	140	27	
SVI216/16S22T	2,2	90	839	456	263	120	129	155	140	28	
SVI218/18S22T	2,2	90	889	506	263	120	129	155	140	29	
SVI220/20S30T	3	100	984	556	298	130	134	174	160	35	
SVI222/22S30T	3	100	1034	606	298	130	134	174	160	35	
SVI224/24S30T	3	100	1084	656	298	130	134	174	160	36	

svi2s-2p50-en\_b\_td

NUMBER OF IMPELLERS	PUMP TYPE	MOTOR		DIMENS. L2+L3 mm	NUMBER OF STAGES																	
		kW	SIZE		2	3	4	5	6	7	8	9	11	12	13	14	15	16	18	20	22	24
					L1 Shank lengths in mm ( AVAILABLE ON REQUEST )																	
SVI202/..	0,37	71	309	107	132	157	182	207	231	256	281	331	356	381	406	431	456	506	556	606	656	
SVI203/..	0,37	71	309		132	157	182	207	231	256	281	331	356	381	406	431	456	506	556	606	656	
SVI204/..	0,55	71	331			157	182	207	231	256	281	331	356	381	406	431	456	506	556	606	656	
SVI205/..	0,75	80	336				182	207	231	256	281	331	356	381	406	431	456	506	556	606	656	
SVI206/..	0,75	80	336					207	231	256	281	331	356	381	406	431	456	506	556	606	656	
SVI207/..	1,1	80	373						231	256	281	331	356	381	406	431	456	506	556	606	656	
SVI208/..	1,1	80	373							256	281	331	356	381	406	431	456	506	556	606	656	
SVI209/..	1,1	80	373								281	331	356	381	406	431	456	506	556	606	656	
SVI211/..	1,5	90	383									331	356	381	406	431	456	506	556	606	656	
SVI212/..	1,5	90	383										356	381	406	431	456	506	556	606	656	
SVI214/..	2,2	90	383											406	431	456	506	556	606	656	656	
SVI216/..	2,2	90	383												456	506	556	606	656	656	656	
SVI218/..	2,2	90	383													506	556	606	656	656	656	
SVI220/..	3	100	428														556	606	656	656	656	
SVI222/..	3	100	428															606	656	656	656	
SV224/..	3	100	428																	656	656	

svi2s-en\_a\_tcm

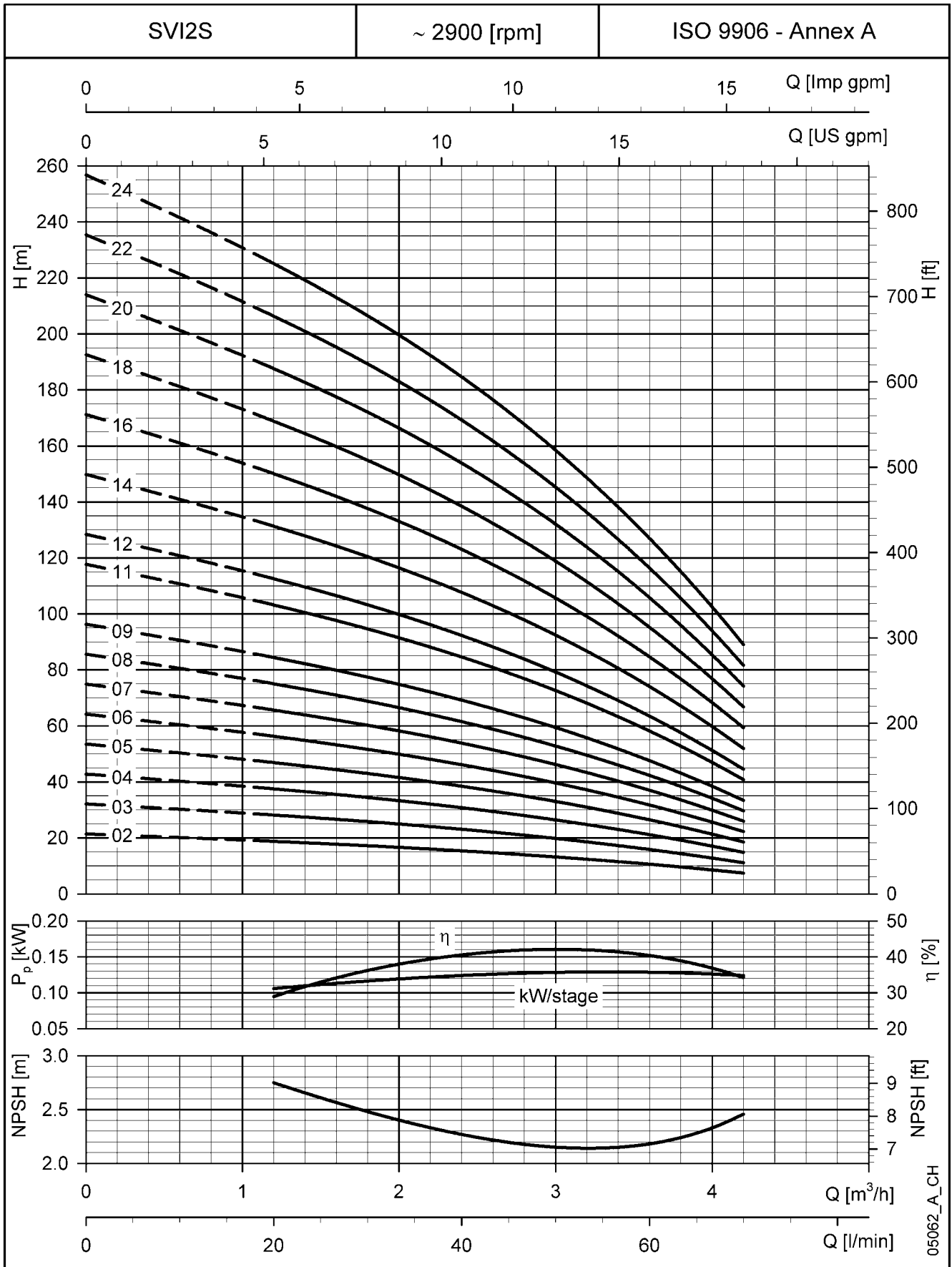
Tel. 0294-457712 Fax 0294-457713



# ITT

# POMPODIRECT

## SVI 2 (S, N) SERIES OPERATING CHARACTERISTICS AT 50 Hz, 2 POLES



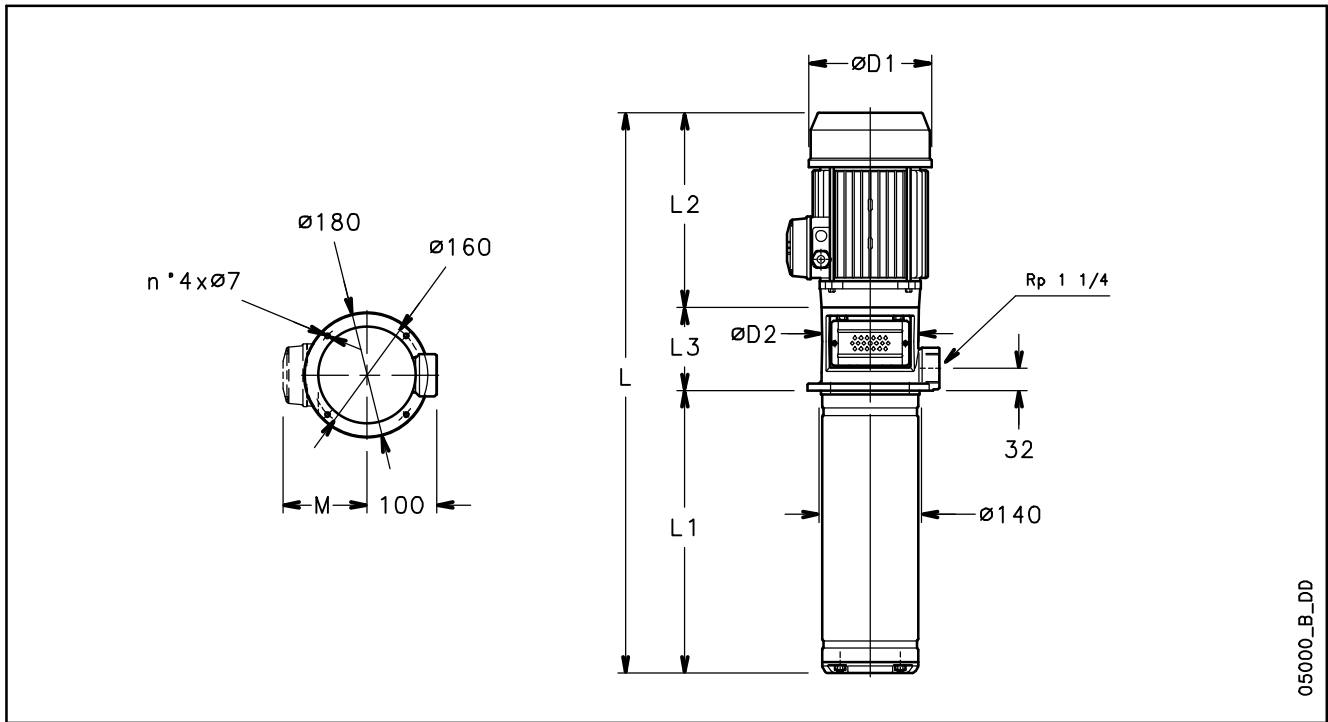
These performances are valid for liquids with density  $\rho = 1.0 \text{ Kg/dm}^3$  and kinematic viscosity  $\nu = 1 \text{ mm}^2/\text{sec}$ .



ITT

POMPOIRECT

**SVI 4 (S, N) SERIES  
DIMENSIONS AND WEIGHTS**



05000\_B\_DD

PUMP TYPE	MOTOR		DIMENSIONS (mm)							ELECTRIC PUMP WEIGHT	
	kW	SIZE	L	L1	L2	L3	M	D1	D2	kg	
SVI402/02S03T	0,37	71	416	107	209	100	111	120	105	14	
SVI403/03S05T	0,55	71	463	132	231	100	111	140	105	14	
SVI404/04S07T	0,75	80	493	157	226	110	121	140	120	17	
SVI405/05S11T	1,1	80	555	182	263	110	121	155	120	18	
SVI406/06S11T	1,1	80	580	207	263	110	121	155	120	18	
SVI407/07S11T	1,1	80	604	231	263	110	129	155	120	19	
SVI408/08S15T	1,5	90	639	256	263	120	129	155	140	24	
SVI409/09S15T	1,5	90	664	281	263	120	129	155	140	24	
SVI411/11S22T	2,2	90	714	331	263	120	129	155	140	26	
SVI413/13S22T	2,2	90	764	381	263	120	129	155	140	27	
SVI414/14S30T	3	100	834	406	298	130	134	174	160	35	
SVI416/16S30T	3	100	884	456	298	130	134	174	160	35	
SVI418/18S30T	3	100	934	506	298	130	134	174	160	35	
SVI420/20S40T	4	112	1005	556	319	130	154	197	160	51	
SVI422/22S40T	4	112	1055	606	319	130	154	197	160	51	
SVI424/24S40T	4	112	1105	656	319	130	154	197	160	52	

svi4s-2p50-en\_b\_td

NUMBER OF IMPELLERS	PUMP TYPE	MOTOR		DIMENS. L2+L3 mm	NUMBER OF STAGES																	
		kW	SIZE		2	3	4	5	6	7	8	9	11	12	13	14	15	16	18	20	22	24
					L1 Shank lengths in mm ( AVAILABLE ON REQUEST )																	
SVI402/..	0,37	71	309	107	132	157	182	207	231	256	281	331	356	381	406	431	456	506	556	606	656	
SVI403/..	0,55	71	331		132	157	182	207	231	256	281	331	356	381	406	431	456	506	556	606	656	
SVI404/..	0,75	80	336			157	182	207	231	256	281	331	356	381	406	431	456	506	556	606	656	
SVI405/..	1,1	80	373				182	207	231	256	281	331	356	381	406	431	456	506	556	606	656	
SVI406/..	1,1	80	373					207	231	256	281	331	356	381	406	431	456	506	556	606	656	
SVI407/..	1,1	80	373						231	256	281	331	356	381	406	431	456	506	556	606	656	
SVI408/..	1,5	90	383							256	281	331	356	381	406	431	456	506	556	606	656	
SVI409/..	1,5	90	383								281	331	356	381	406	431	456	506	556	606	656	
SVI411/..	2,2	90	383									331	356	381	406	431	456	506	556	606	656	
SVI413/..	2,2	90	383										381	406	431	456	506	556	606	656		
SVI414/..	3	100	428											406	431	456	506	556	606	656		
SVI416/..	3	100	428													456	506	556	606	656		
SVI418/..	3	100	428														506	556	606	656		
SVI420/..	4	112	449															556	606	656		
SVI422/..	4	112	449																606	656		
SVI424/..	4	112	449																	656		

svi4s-en\_a\_tcm

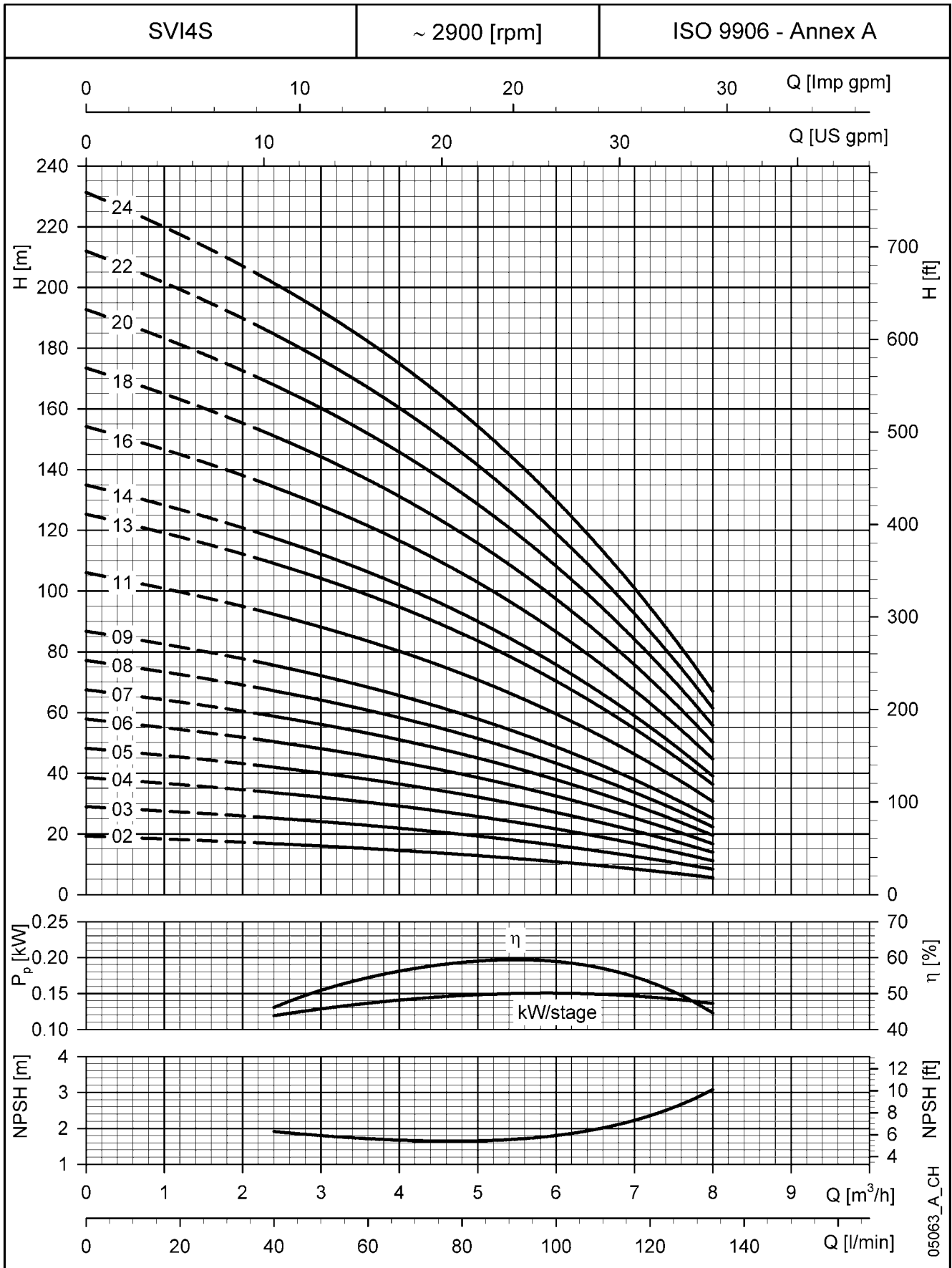
Tel. 0294-457712 Fax 0294-457713



# ITT

# POMPOIRECT

## SVI 4 (S, N) SERIES OPERATING CHARACTERISTICS AT 50 Hz, 2 POLES



These performances are valid for liquids with density  $\rho = 1.0 \text{ Kg/dm}^3$  and kinematic viscosity  $\nu = 1 \text{ mm}^2/\text{sec}$ .

Tel. 0294-457712 Fax 0294-457713

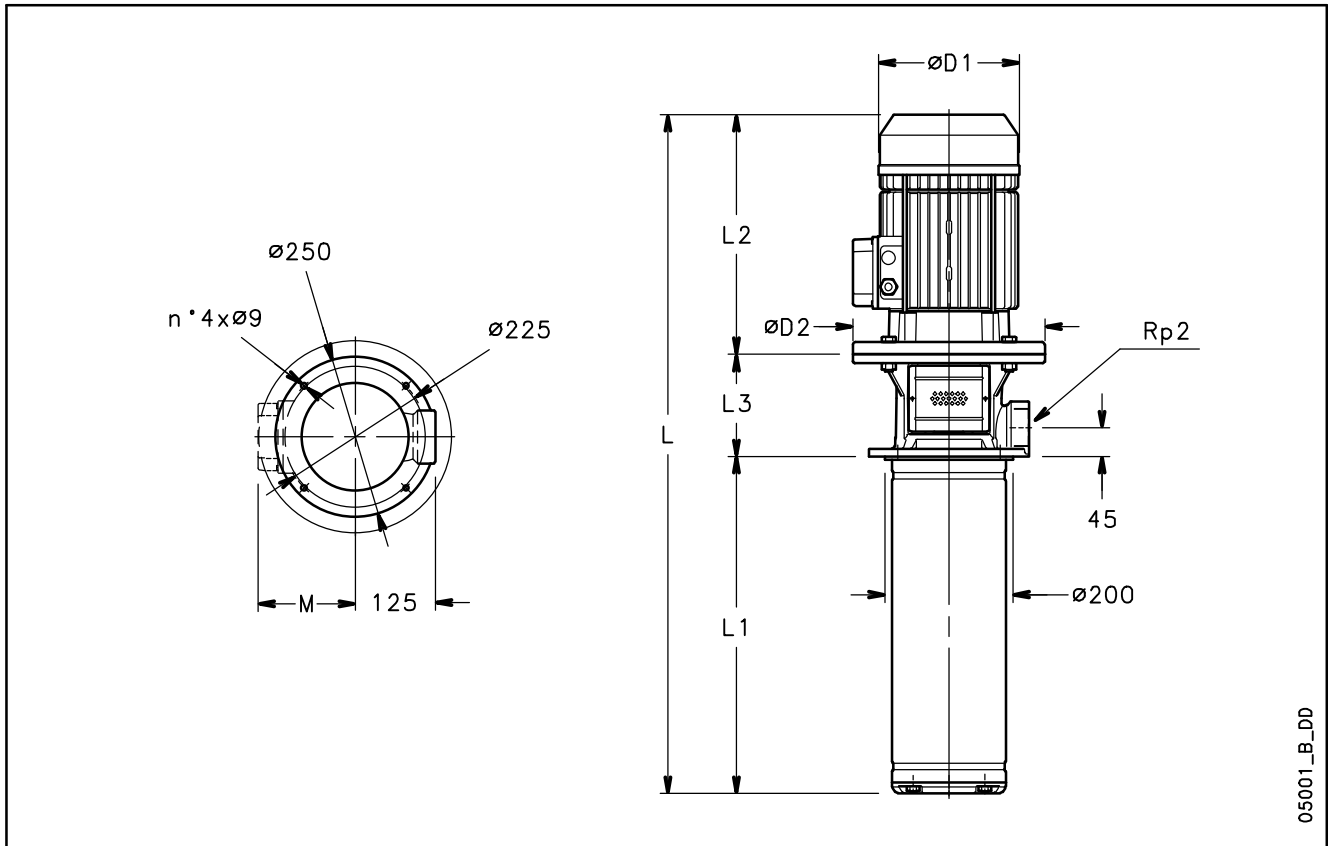




# ITT

# POMPOIRECT

## SVI 8 (S, N) SERIES DIMENSIONS AND WEIGHTS



05001\_B\_DD

PUMP TYPE	MOTOR		DIMENSIONS (mm)							ELECTRIC PUMP WEIGHT	
	kW	SIZE	L	L1	L2	L3	M	D1	D2	kg	
SVI801/02S07T	0,75	80	491	146	226	119	121	140	120	22	
SVI802/02S11T	1,1	80	528	146	263	119	129	155	120	23	
SVI803/03S15T	1,5	90	576	184	263	129	129	155	140	28	
SVI804/04S22T	2,2	90	614	222	263	129	129	155	140	30	
SVI805/05S22T	2,2	90	652	260	263	129	129	155	140	31	
SVI806/06S30T	3	100	735	298	298	139	134	174	160	40	
SVI808/08S40T	4	112	832	374	319	139	154	197	160	57	
SVI809/09S40T	4	112	870	412	319	139	154	197	160	58	
SVI811/11S55T	5,5	132	1022	488	375	159	168	214	300	69	
SVI812/12S55T	5,5	132	1060	526	375	159	168	214	300	70	
SVI814/14S75T	7,5	132	1128	602	367	159	191	256	300	88	
SVI816/16S75T	7,5	132	1204	678	367	159	191	256	300	89	

svi8s-2p50-en\_b\_td

	PUMP TYPE	MOTOR		DIMENS. L2+L3 mm	NUMBER OF STAGES													
		kW	SIZE		2	3	4	5	6	7	8	9	10	11	12	14	15	16
					L1 Shank lengths in mm ( AVAILABLE ON REQUEST )													
NUMBER OF IMPELLERS	SVI801/..	0,75	80	345	146	184	222	260	298	336	374	412	450	488	526	602	640	678
	SVI802/..	1,1	80	382	146	184	222	260	298	336	374	412	450	488	526	602	640	678
	SVI803/..	1,5	90	392		184	222	260	298	336	374	412	450	488	526	602	640	678
	SVI804/..	2,2	90	392			222	260	298	336	374	412	450	488	526	602	640	678
	SVI805/..	2,2	90	392				260	298	336	374	412	450	488	526	602	640	678
	SVI806/..	3	100	437					298	336	374	412	450	488	526	602	640	678
	SVI808/..	4	112	458						336	374	412	450	488	526	602	640	678
	SVI809/..	4	112	458							374	412	450	488	526	602	640	678
	SVI811/..	5,5	132	534								412	450	488	526	602	640	678
	SVI812/..	5,5	132	534									450	488	526	602	640	678
	SVI814/..	7,5	132	526											602	640	678	678
	SVI816/..	7,5	132	526														678

svi8s-en\_a\_tcm

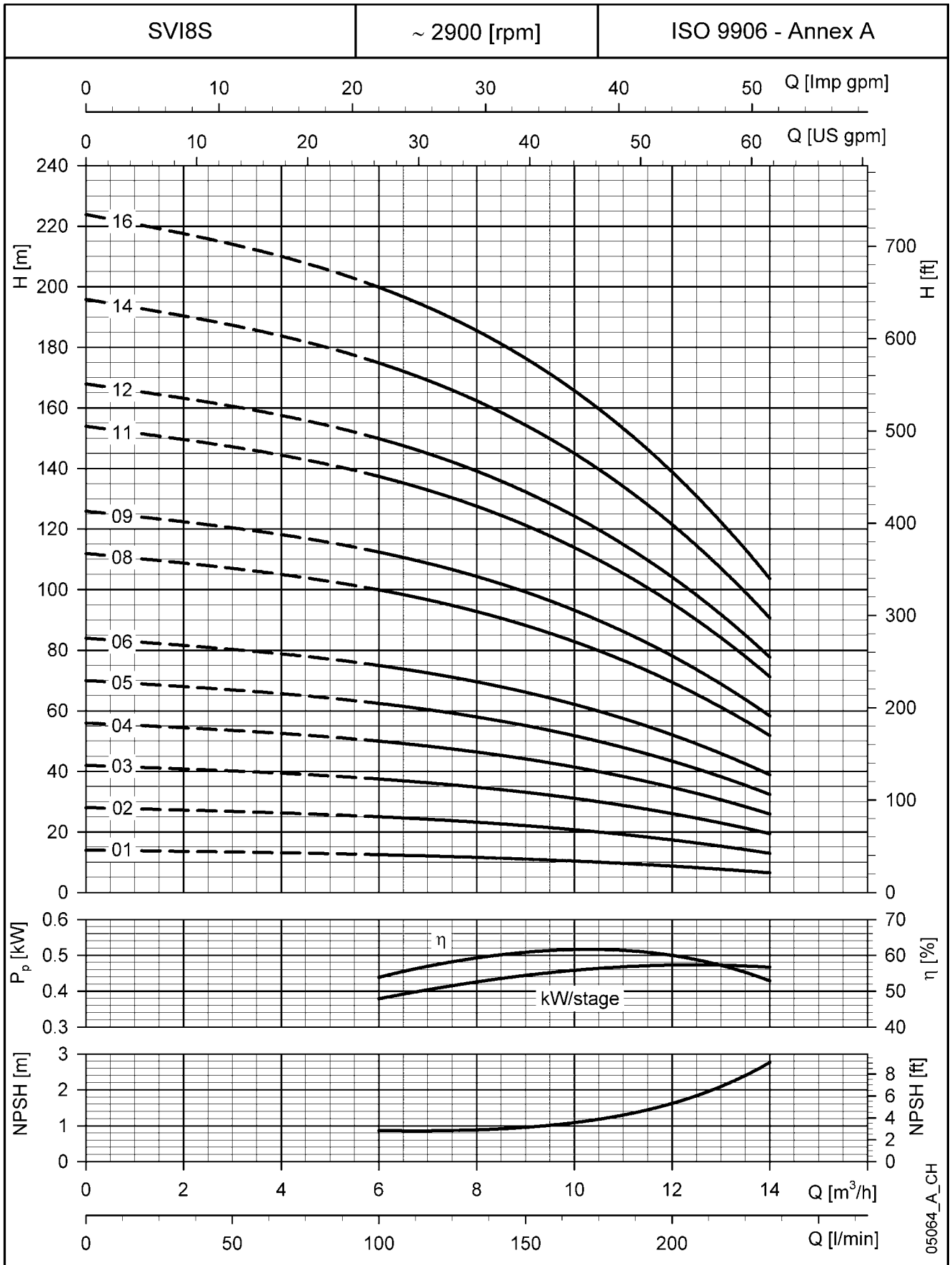
Tel. 0294-457712 Fax 0294-457713



# ITT

# POMPOIRECT

## SVI 8 (S, N) SERIES OPERATING CHARACTERISTICS AT 50 Hz, 2 POLES



05064\_A\_CH

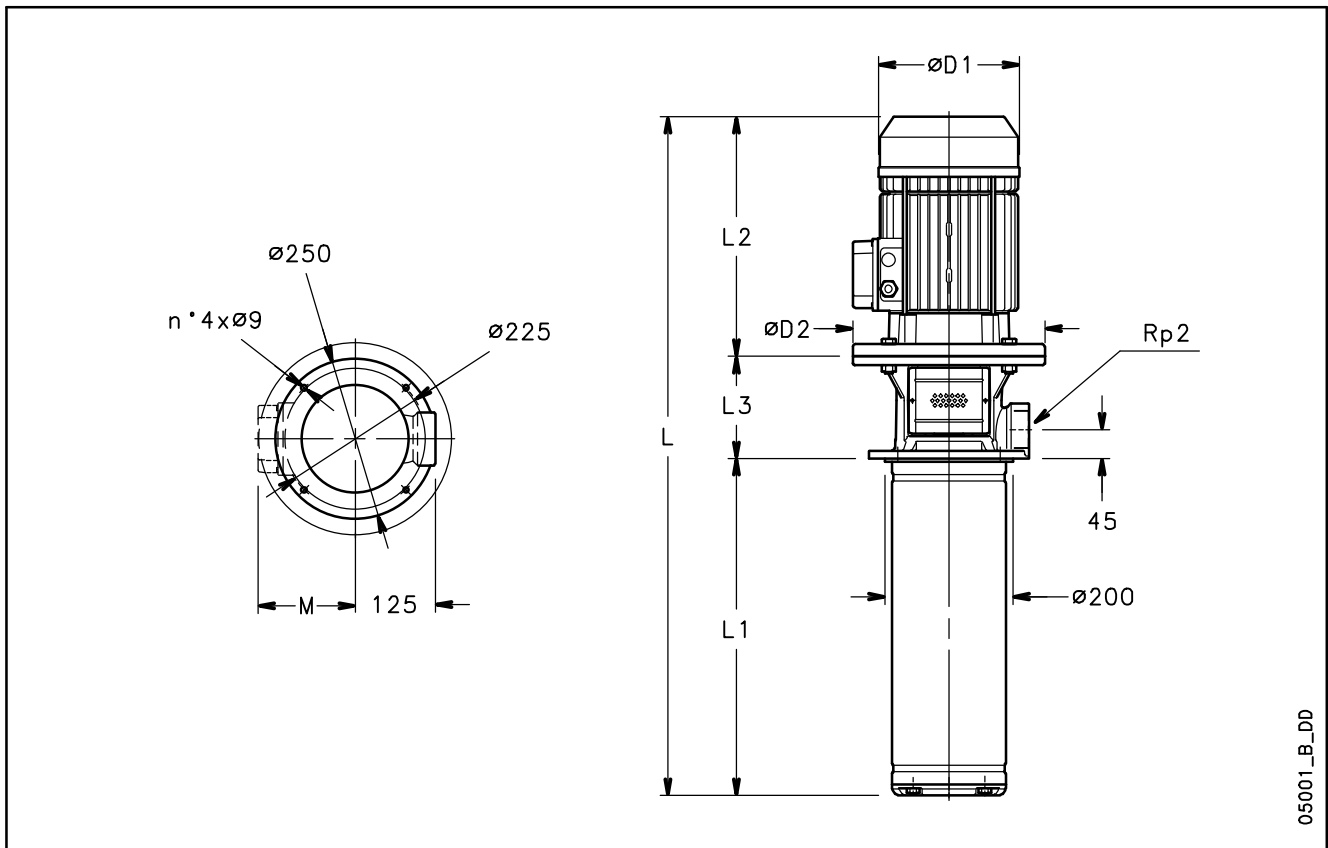
These performances are valid for liquids with density  $\rho = 1.0 \text{ Kg/dm}^3$  and kinematic viscosity  $\nu = 1 \text{ mm}^2/\text{sec}$ .



# ITT

# POMPOIRECT

## SVI 16 (S, N) SERIES DIMENSIONS AND WEIGHTS



05001\_B\_DD

PUMP TYPE	MOTOR		DIMENSIONS (mm)							ELECTRIC PUMP WEIGHT	
	kW	SIZE	L	L1	L2	L3	M	D1	D2	kg	
SVI1601/02S11T	1,1	80	528	146	263	119	129	155	120	25	
SVI1602/02S22T	2,2	90	538	146	263	129	129	155	140	30	
SVI1603/03S30T	3	100	621	184	298	139	134	174	160	39	
SVI1604/04S40T	4	112	680	222	319	139	154	197	160	57	
SVI1605/05S55T	5,5	132	794	260	375	159	168	214	300	67	
SVI1606/06S55T	5,5	132	832	298	375	159	168	214	300	68	
SVI1607/07S75T	7,5	132	862	336	367	159	191	256	300	85	
SVI1608/08S75T	7,5	132	900	374	367	159	191	256	300	86	
SVI1610/10S110T	11	160	1069	450	428	191	191	256	350	119	
SVI1612/12S110T	11	160	1145	526	428	191	191	256	350	121	
SVI1614/14S150T	15	160	1287	602	494	191	240	313	350	130	
SVI1615/15S150T	15	160	1325	640	494	191	240	313	350	131	

svi16s-2p50-en\_b\_td

NUMBER OF IMPELLERS	PUMP TYPE	MOTOR		DIMENS. L2+L3 mm	NUMBER OF STAGES													
		kW	SIZE		2	3	4	5	6	7	8	9	10	11	12	14	15	16
		L1 Shank lengths in mm ( AVAILABLE ON REQUEST )																
SVI1601/..	1,1	80	382	146	184	222	260	298	336	374	412	450	488	526	602	640	678	
SVI1602/..	2,2	90	392	146	184	222	260	298	336	374	412	450	488	526	602	640	678	
SVI1603/..	3	100	437		184	222	260	298	336	374	412	450	488	526	602	640	678	
SVI1604/..	4	112	458			222	260	298	336	374	412	450	488	526	602	640	678	
SVI1605/..	5,5	132	534				260	298	336	374	412	450	488	526	602	640	678	
SVI1606/..	5,5	132	534					298	336	374	412	450	488	526	602	640	678	
SVI1607/..	7,5	132	526						336	374	412	450	488	526	602	640	678	
SVI1608/..	7,5	132	526							374	412	450	488	526	602	640	678	
SVI1610/..	11	160	619									450	488	526	602	640	678	
SVI1612/..	11	160	619											526	602	640	678	
SVI1614/..	15	160	685												602	640	678	
SVI1615/..	15	160	685													640	678	

svi16s-en\_a\_tcm

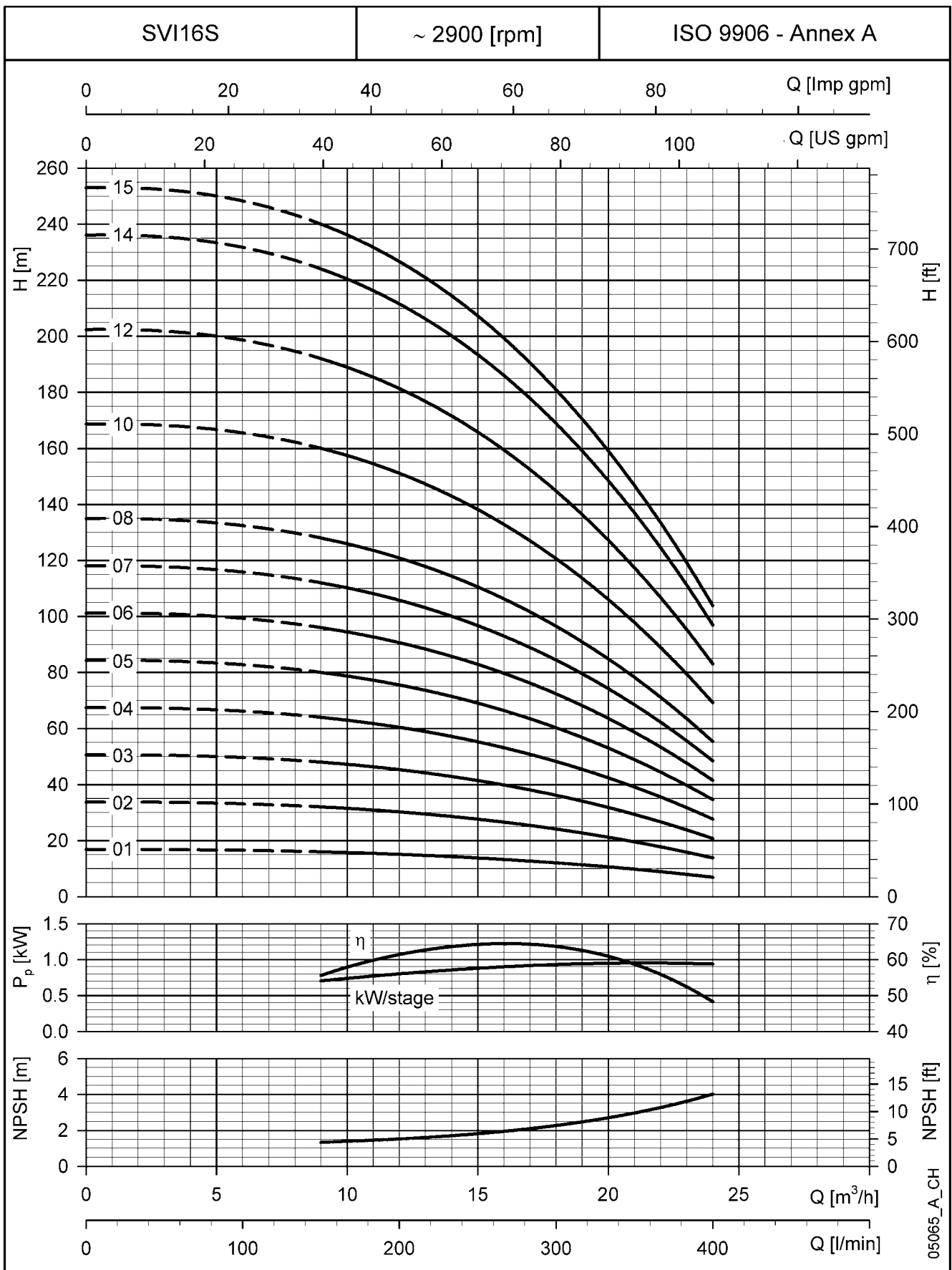
Tel. 0294-457712 Fax 0294-457713



# ITT

# POMPODIRECT

## SVI 16 (S, N) SERIES OPERATING CHARACTERISTICS AT 50 Hz, 2 POLES



These performances are valid for liquids with density  $\rho = 1.0 \text{ Kg/dm}^3$  and kinematic viscosity  $\nu = 1 \text{ mm}^2/\text{sec}$ .

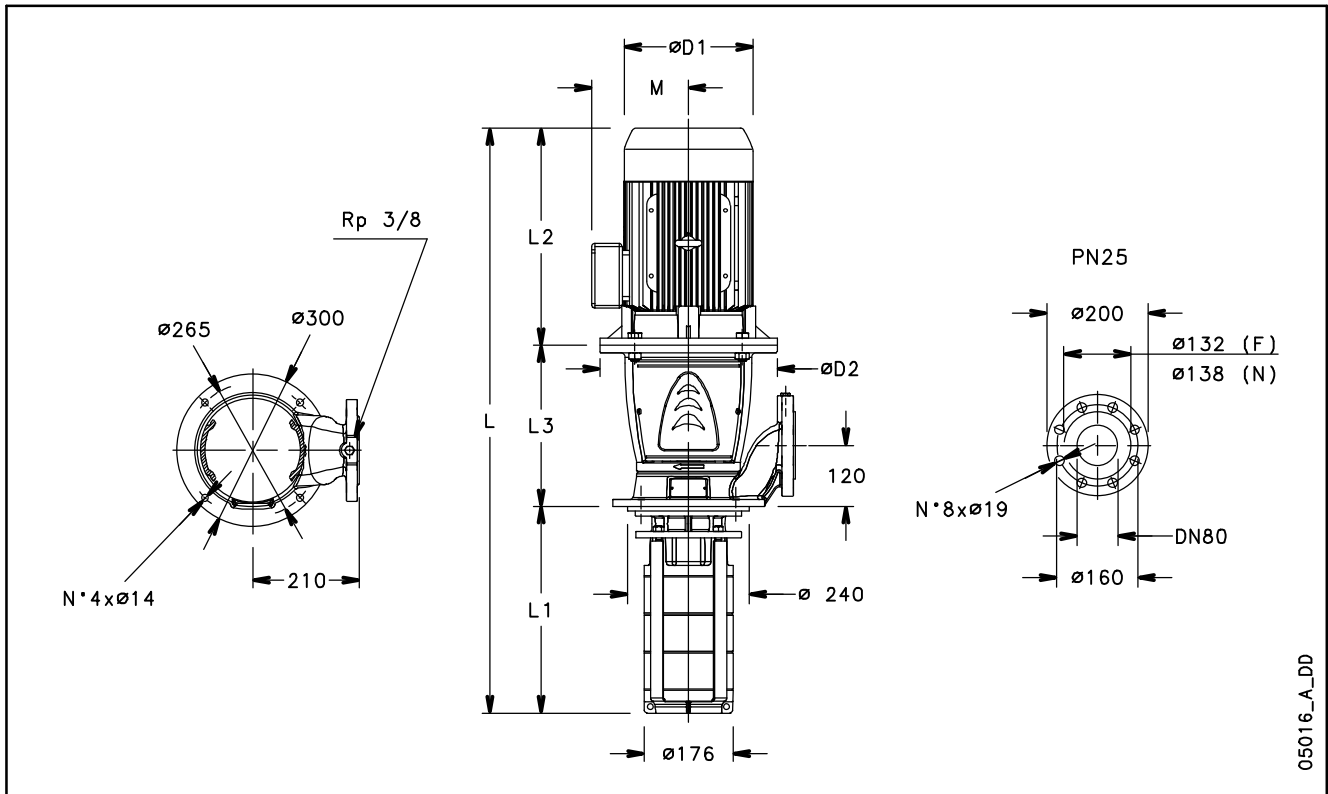
Tel. 0294-457712 Fax 0294-457713



ITT

POMPOIRECT

**SVI 33 (S, N) SERIES  
DIMENSIONS AND WEIGHTS**



05016\_A\_DD

PUMP TYPE	MOTOR		DIMENSIONS (mm)							ELECTRIC PUMP WEIGHT	
	kW	SIZE	L	L1	L2	L3	M	D1	D2	kg	
SVI3301/1-01S22T	2,2	90	782	257	263	262	129	155	140	53	
SVI3301-01S30T	3	100	817	257	298	262	134	174	160	64	
SVI3302/2-02S40T	4	112	913	332	319	262	154	197	160	70	
SVI3302/1-02S40T	4	112	913	332	319	262	154	197	160	70	
SVI3303/2-03S55T	5,5	132	1064	407	375	282	168	214	300	88	
SVI3303-03S75T	7,5	132	1056	407	367	282	191	256	300	107	
SVI3304-04S110T	11	160	1227	482	428	317	191	256	350	128	
SVI3305/1-05S110T	11	160	1302	557	428	317	191	256	350	130	
SVI3306/2-06S150T	15	160	1443	632	494	317	240	313	350	165	
SVI3307/2-07S150T	15	160	1518	707	494	317	240	313	350	168	
SVI3307-07S185T	18,5	160	1518	707	494	317	240	313	350	176	
SVI3308/1-08S185T	18,5	160	1593	782	494	317	240	313	350	179	
SVI3309/1-09S220T	22	180	1668	857	494	317	240	313	350	193	
SVI3310/2-10S220T	22	180	1743	932	494	317	240	313	350	196	
SVI3310-10S300T	30	200	1862	932	613	317	278	354	400	207	

svi33s-2p50-en\_a\_tm

PUMP TYPE	MOTOR		DIMENS. L2+L3 mm	NUMBER OF STAGES											
	kW	SIZE		1	2	3	4	5	6	7	8	9	10	11	12
	L1 Shank lengths in mm (AVAILABLE ON REQUEST)														
SVI3301/1-..	2,2	90	525	257	332	407	482	557	632	707	782	857	932	1007	1082
SVI3301-..	3	100	560	257	332	407	482	557	632	707	782	857	932	1007	1082
SVI3302/2-..	4	112	581		332	407	482	557	632	707	782	857	932	1007	1082
SVI3302/1-..	4	112	581		332	407	482	557	632	707	782	857	932	1007	1082
SVI3303/2-..	5,5	132	649			407	482	557	632	707	782	857	932	1007	1082
SVI3303-..	7,5	132	649			407	482	557	632	707	782	857	932	1007	1082
SVI3304-..	11	160	745				482	557	632	707	782	857	932	1007	1082
SVI3305/1-..	11	160	745					557	632	707	782	857	932	1007	1082
SVI3306/2-..	15	160	811						632	707	782	857	932	1007	1082
SVI3307/2-..	15	160	811							707	782	857	932	1007	1082
SVI3307-..	18,5	160	811							707	782	857	932	1007	1082
SVI3308/1-..	18,5	160	811								782	857	932	1007	1082
SVI3309/1-..	22	180	811									857	932	1007	1082
SVI3310/2-..	22	180	811										932	1007	1082
SVI3310-..	30	200	930										932	1007	1082

Tel. 0294-457712 Fax 0294-457713

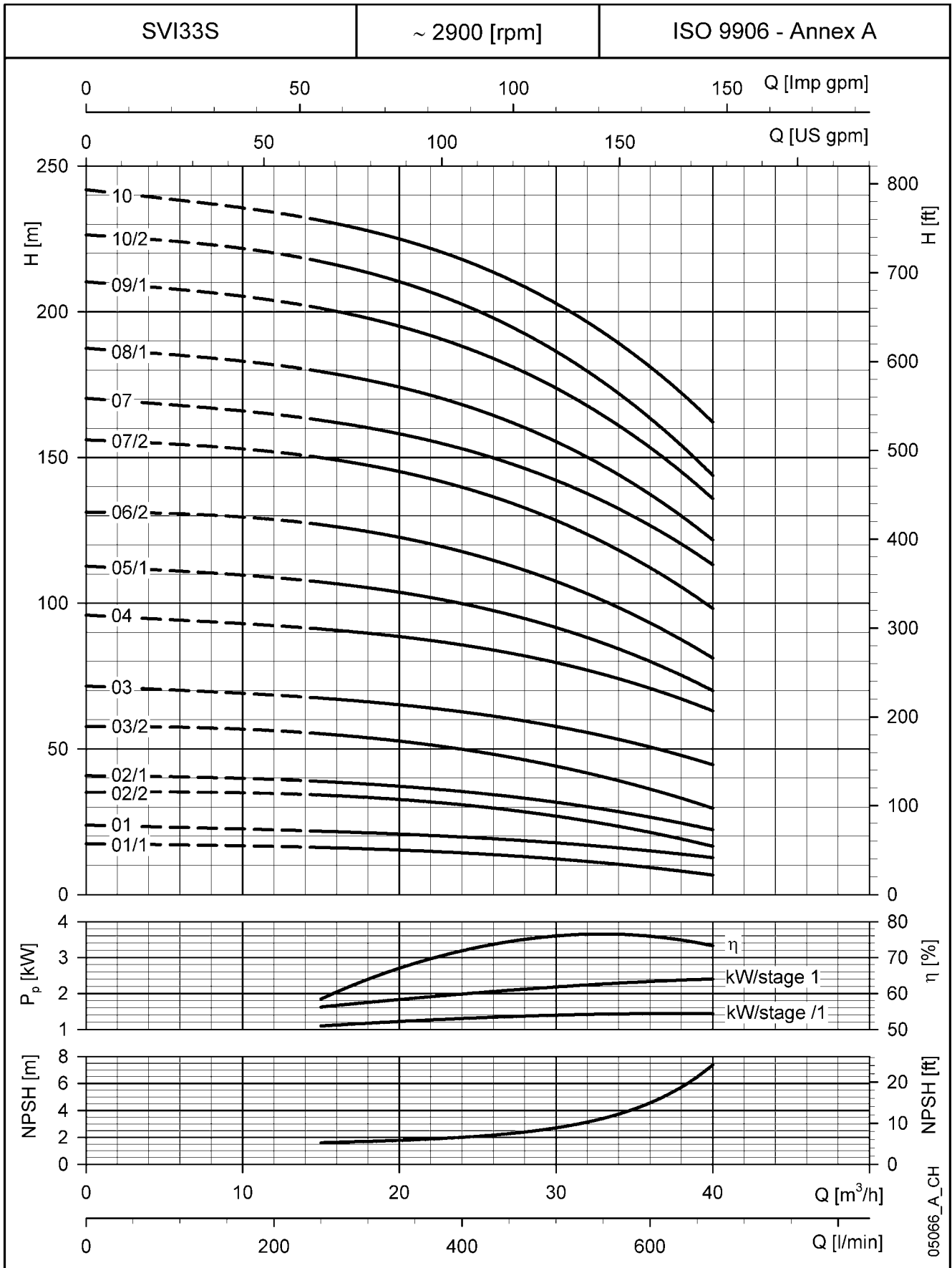
svi33s-en\_a\_tm



# ITT

# POMPODIRECT

## SVI 33 (S, N) SERIES OPERATING CHARACTERISTICS AT 50 Hz, 2 POLES



These performances are valid for liquids with density  $\rho = 1.0 \text{ Kg/dm}^3$  and kinematic viscosity  $\nu = 1 \text{ mm}^2/\text{sec}$ .

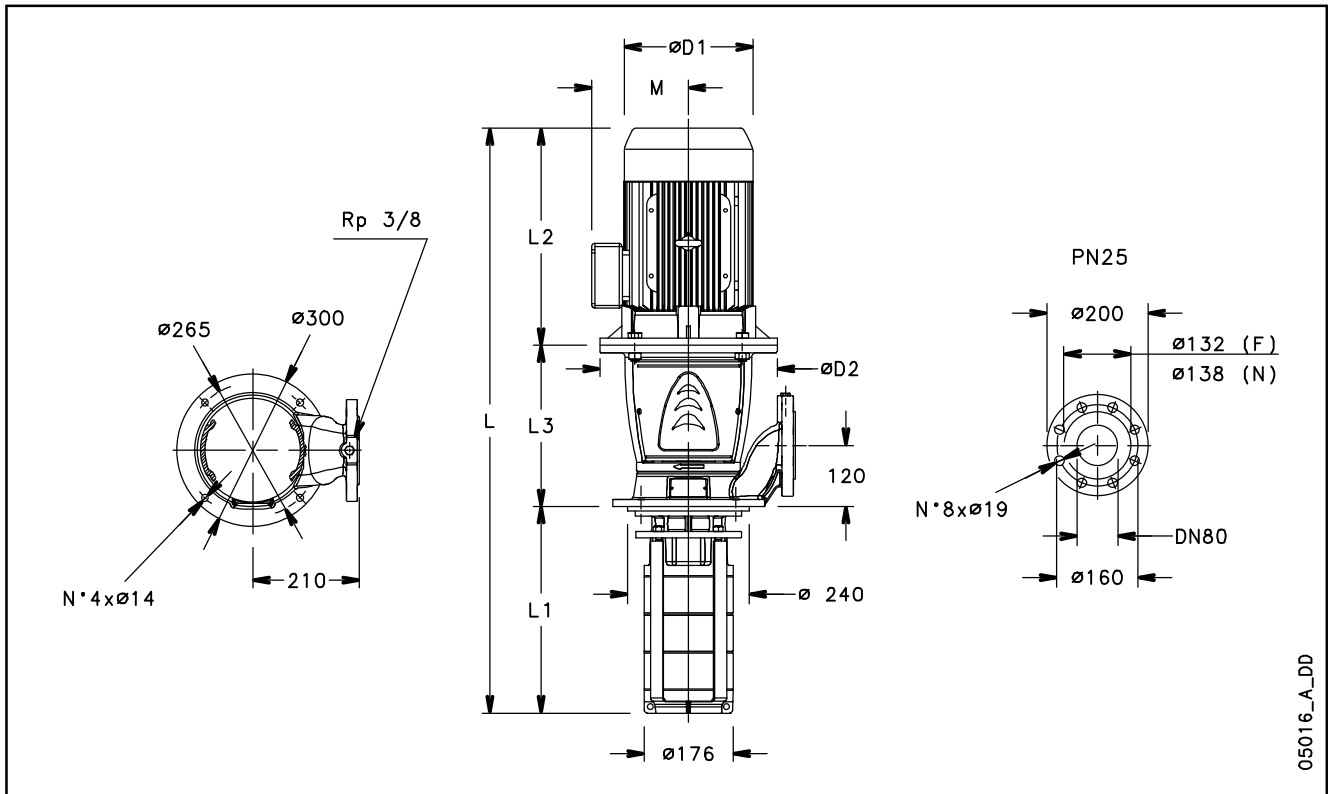
Tel. 0294-457712 Fax 0294-457713



# ITT

# POMPOIRECT

## SVI 46 (S, N) SERIES DIMENSIONS AND WEIGHTS



05016\_A\_DD

PUMP TYPE	MOTOR		DIMENSIONS (mm)							ELECTRIC PUMP WEIGHT	
	kW	SIZE	L	L1	L2	L3	M	D1	D2	kg	
SVI4601/1-01S30T	3	100	817	257	298	262	134	174	160	64	
SVI4601-01S40T	4	112	838	257	319	262	154	197	160	67	
SVI4602/2-02S55T	5,5	132	989	332	375	282	168	214	300	85	
SVI4602-02S75T	7,5	132	981	332	367	282	191	256	300	104	
SVI4603-03S110T	11	160	1152	407	428	317	191	256	350	125	
SVI4604/2-04S150T	15	160	1293	482	494	317	240	313	350	159	
SVI4605-05S185T	18,5	160	1368	557	494	317	240	313	350	171	
SVI4606-06S220T	22	180	1443	632	494	317	240	313	350	185	
SVI4607/2-07S300T	30	200	1637	707	613	317	278	354	400	205	
SVI4608/2-08S300T	30	200	1712	782	613	317	278	354	400	208	
SVI4609/2-09S300T	30	200	1787	857	613	317	278	354	400	210	

svi46s-2p50-en\_a\_td

NUMBER OF IMPELLERS	PUMP TYPE	MOTOR		DIMENS. L2+L3 mm	NUMBER OF STAGES											
		kW	SIZE		1	2	3	4	5	6	7	8	9	10	11	12
					L1 Shank lengths in mm ( AVAILABLE ON REQUEST )											
	SVI4601/1-..	3	100	560	257	332	407	482	557	632	707	782	857	932	1007	1082
	SVI4601-..	4	112	581	257	332	407	482	557	632	707	782	857	932	1007	1082
	SVI4602/2-..	5,5	132	657		332	407	482	557	632	707	782	857	932	1007	1082
	SVI4602-..	7,5	132	649		332	407	482	557	632	707	782	857	932	1007	1082
	SVI4603-..	11	160	745			407	482	557	632	707	782	857	932	1007	1082
	SVI4604/2-..	15	160	811				482	557	632	707	782	857	932	1007	1082
	SVI4605-..	18,5	160	811					557	632	707	782	857	932	1007	1082
	SVI4606-..	22	180	811						632	707	782	857	932	1007	1082
	SVI4607/2-..	30	200	930							707	782	857	932	1007	1082
	SVI4608/2-..	30	200	930								782	857	932	1007	1082
	SVI4609/2-..	30	200	930									857	932	1007	1082

svi46s-en\_a\_tcm

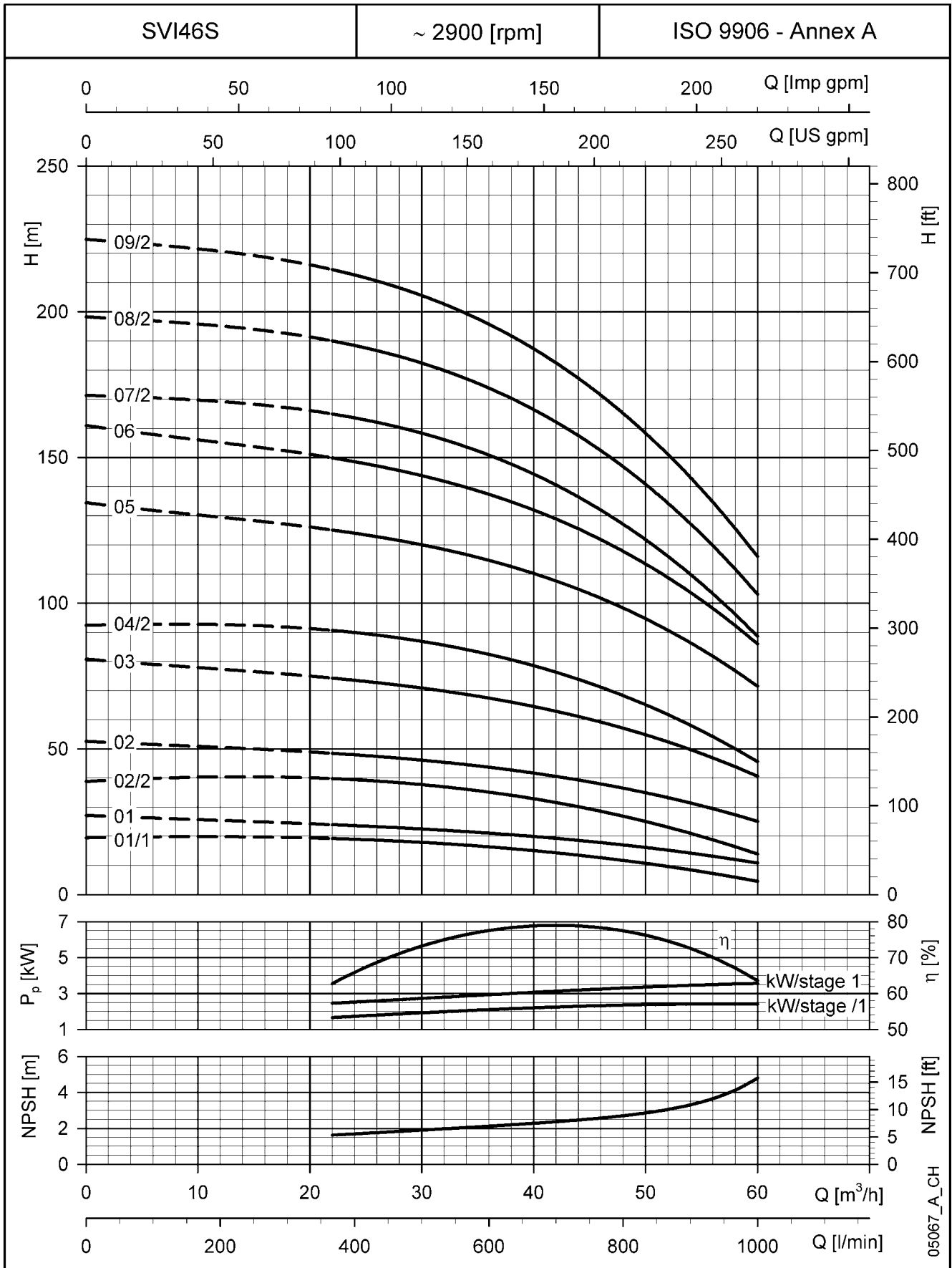
Tel. 0294-457712 Fax 0294-457713



# ITT

# POMPODIRECT

## SVI 46 (S, N) SERIES OPERATING CHARACTERISTICS AT 50 Hz, 2 POLES



These performances are valid for liquids with density  $\rho = 1.0 \text{ Kg/dm}^3$  and kinematic viscosity  $\nu = 1 \text{ mm}^2/\text{sec}$ .

Tel. 0294-457712 Fax 0294-457713

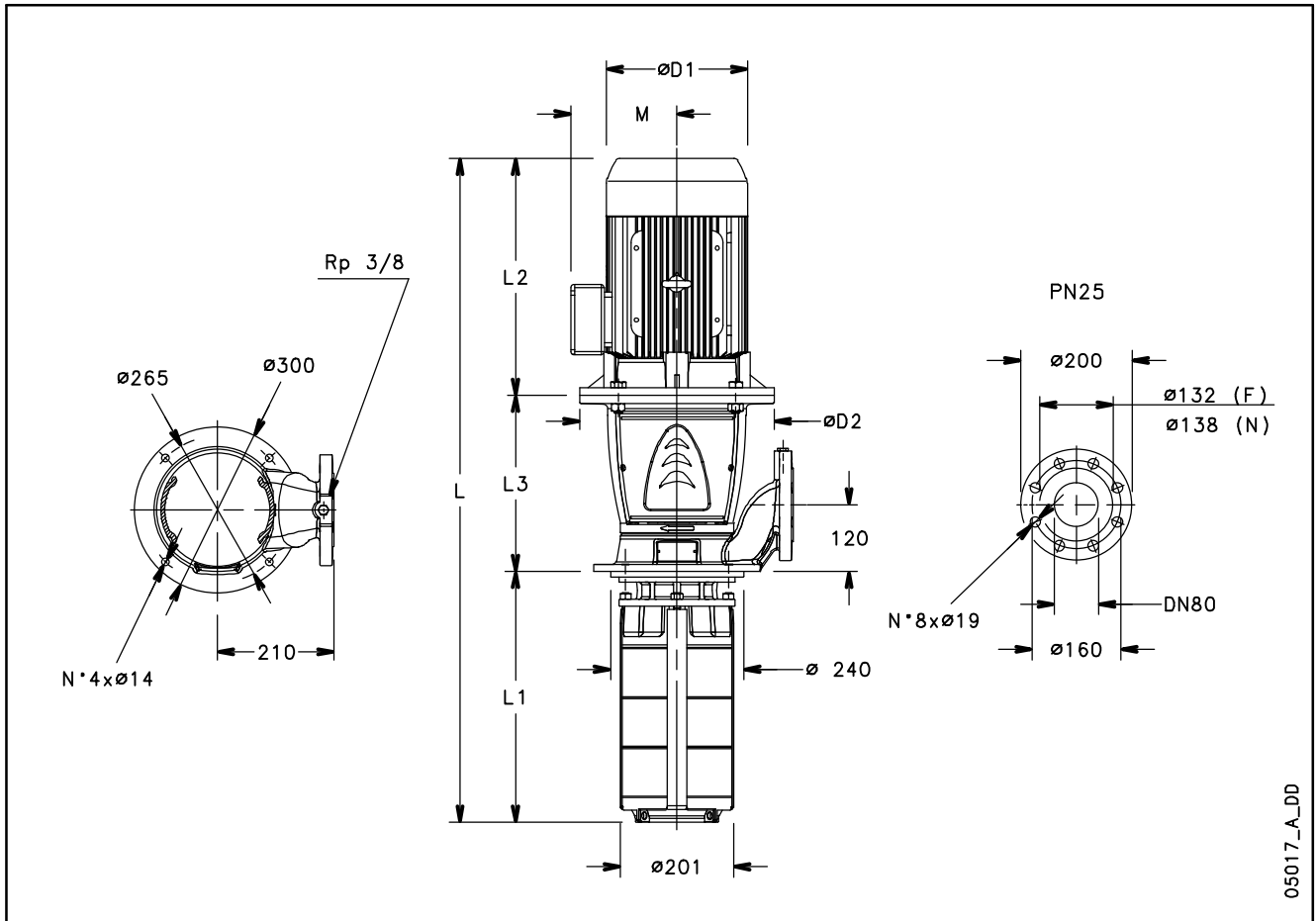




# ITT

# POMPOIRECT

## SVI 66 (S, N) SERIES DIMENSIONS AND WEIGHTS



05017\_A\_DD

PUMP TYPE	MOTOR		DIMENSIONS (mm)							ELECTRIC PUMP WEIGHT
	kW	SIZE	L	L1	L2	L3	M	D1	D2	kg
SVI6601/1-01S40T	4	112	853	272	319	262	154	197	160	73
SVI6601-01S55T	5,5	132	929	272	375	282	168	214	300	83
SVI6602/2-02S75T	7,5	132	1011	362	367	282	191	256	300	109
SVI6602-02S110T	11	160	1107	362	428	317	191	256	350	124
SVI6603/2-03S150T	15	160	1263	452	494	317	240	313	350	159
SVI6603-03S185T	18,5	160	1263	452	494	317	240	313	350	160
SVI6604/1-04S220T	22	180	1353	542	494	317	240	313	350	190
SVI6605/1-05S300T	30	200	1562	632	613	317	278	354	400	203

svi66s-2p50-en\_a\_tcm

	PUMP TYPE	MOTOR		DIMENS. L2+L3 mm	NUMBER OF STAGES									
		kW	SIZE		1	2	3	4	5	6	7	8	9	10
		L1 Shank lengths in mm (AVAILABLE ON REQUEST)												
NUMBER OF IMPELLERS	SVI6601/1-..	4	112	581	272	362	452	542	632	722	812	902	992	1082
	SVI6601-..	5,5	132	657	272	362	452	542	632	722	812	902	992	1082
	SVI6602/2-..	7,5	132	649		362	452	542	632	722	812	902	992	1082
	SVI6602-..	11	160	745		362	452	542	632	722	812	902	992	1082
	SVI6603/2-..	15	160	811			452	542	632	722	812	902	992	1082
	SVI6603-..	18,5	160	811			452	542	632	722	812	902	992	1082
	SVI6604/1-..	22	180	811				542	632	722	812	902	992	1082
	SVI6605/1-..	30	200	930					632	722	812	902	992	1082

svi66s-en\_a\_tcm

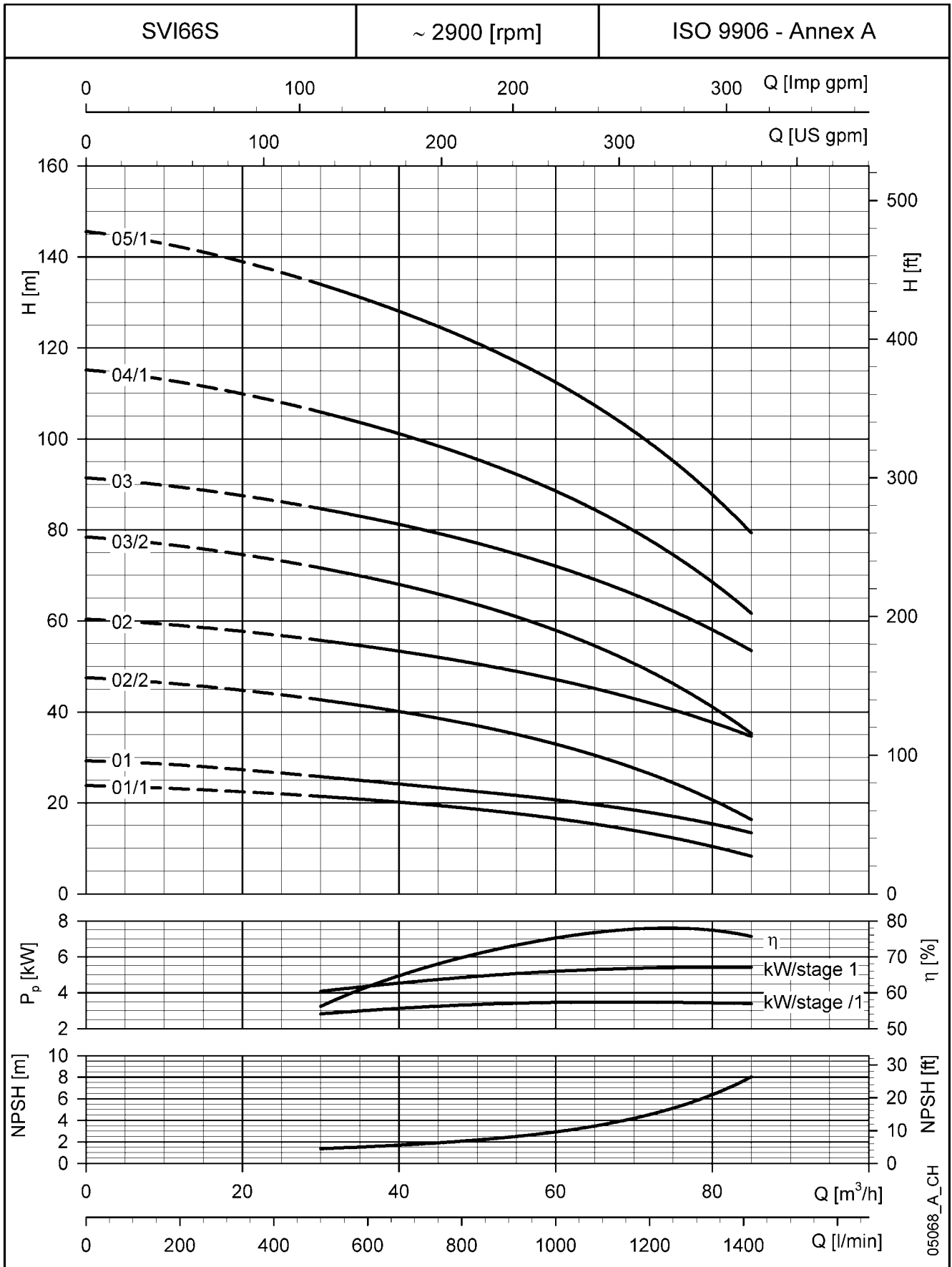
Tel. 0294-457712 Fax 0294-457713



# ITT

# POMPODIRECT

## SVI 66 (S, N) SERIES OPERATING CHARACTERISTICS AT 50 Hz, 2 POLES



These performances are valid for liquids with density  $\rho = 1.0 \text{ Kg/dm}^3$  and kinematic viscosity  $\nu = 1 \text{ mm}^2/\text{sec}$ .

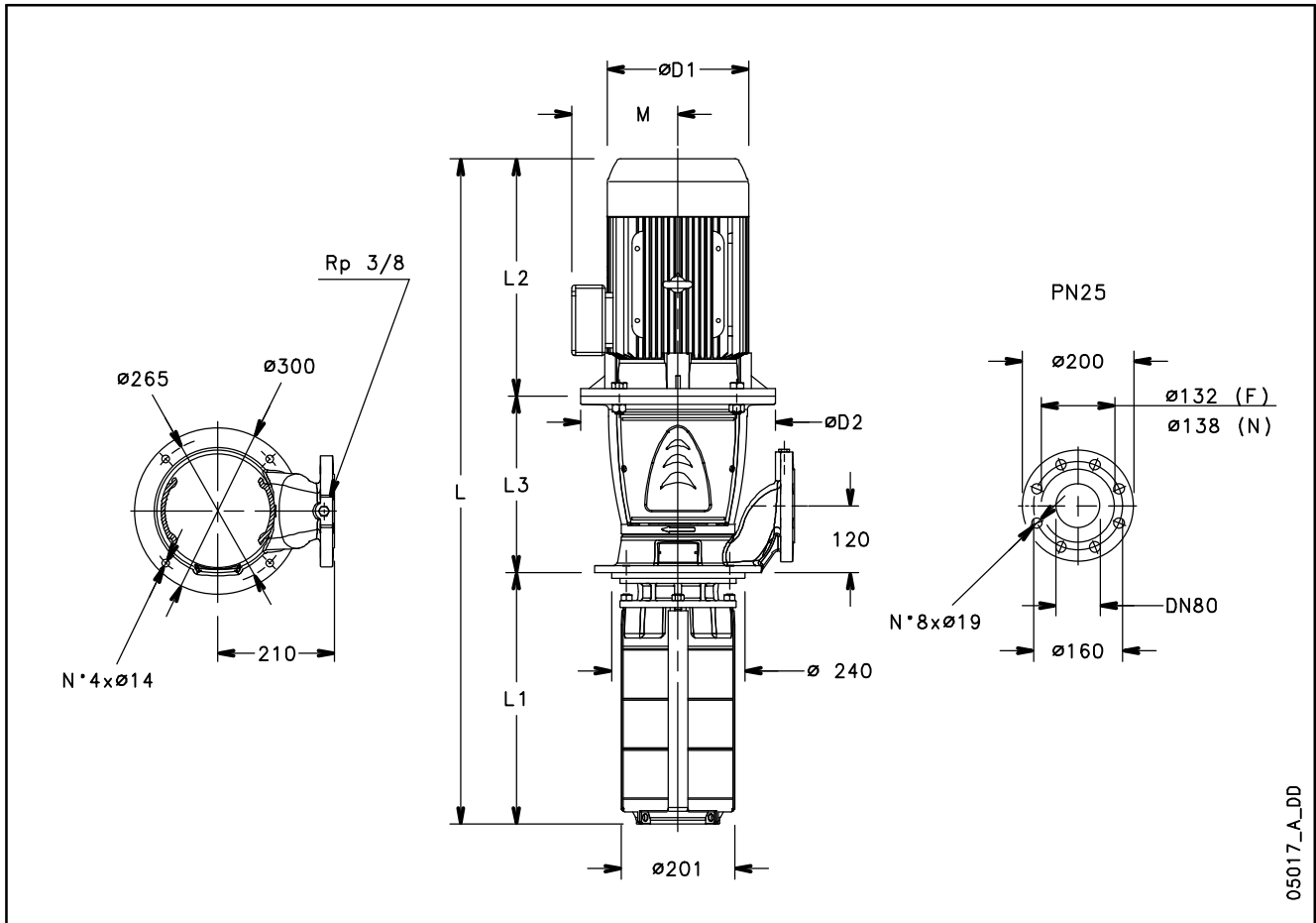
Tel. 0294-457712 Fax 0294-457713



# ITT

# POMPOIRECT

## SVI 92 (S, N) SERIES DIMENSIONS AND WEIGHTS



05017\_A\_DD

PUMP TYPE	MOTOR		DIMENSIONS (mm)							ELECTRIC PUMP WEIGHT	
	kW	SIZE	L	L1	L2	L3	M	D1	D2	kg	
SVI9201/1-01S55T	5,5	132	929	272	375	282	168	214	300	83	
SVI9201-01S75T	7,5	132	921	272	367	282	191	256	300	101	
SVI9202/2-02S110T	11	160	1107	362	428	317	191	256	350	123	
SVI9202-02S150T	15	160	1173	362	494	317	240	313	350	155	
SVI9203/2-03S185T	18,5	160	1263	452	494	317	240	313	350	167	
SVI9203-03S220T	22	180	1263	452	494	317	240	313	350	179	
SVI9204/2-04S300T	30	200	1472	542	613	317	278	354	400	200	
SVI9204-04S300T	30	200	1472	542	613	317	278	354	400	200	

svi92s-2p50-en\_a\_tcm

	PUMP TYPE	MOTOR		DIMENS. L2+L3 mm	NUMBER OF STAGES									
		kW	SIZE		1	2	3	4	5	6	7	8	9	10
		L1 Shank lengths in mm ( AVAILABLE ON REQUEST )												
NUMBER OF IMPELLERS	SVI9201/1-..	5,5	132	657	272	362	452	542	632	722	812	902	992	1082
	SVI9201-..	7,5	132	649	272	362	452	542	632	722	812	902	992	1082
	SVI9202/2-..	11	160	745		362	452	542	632	722	812	902	992	1082
	SVI9202-..	15	160	811		362	452	542	632	722	812	902	992	1082
	SVI9203/2-..	18,5	160	811			452	542	632	722	812	902	992	1082
	SVI9203-..	22	180	811			452	542	632	722	812	902	992	1082
	SVI9204/2-..	30	200	930				542	632	722	812	902	992	1082
	SVI9204-..	30	200	930				542	632	722	812	902	992	1082

svi92s-en\_a\_tcm

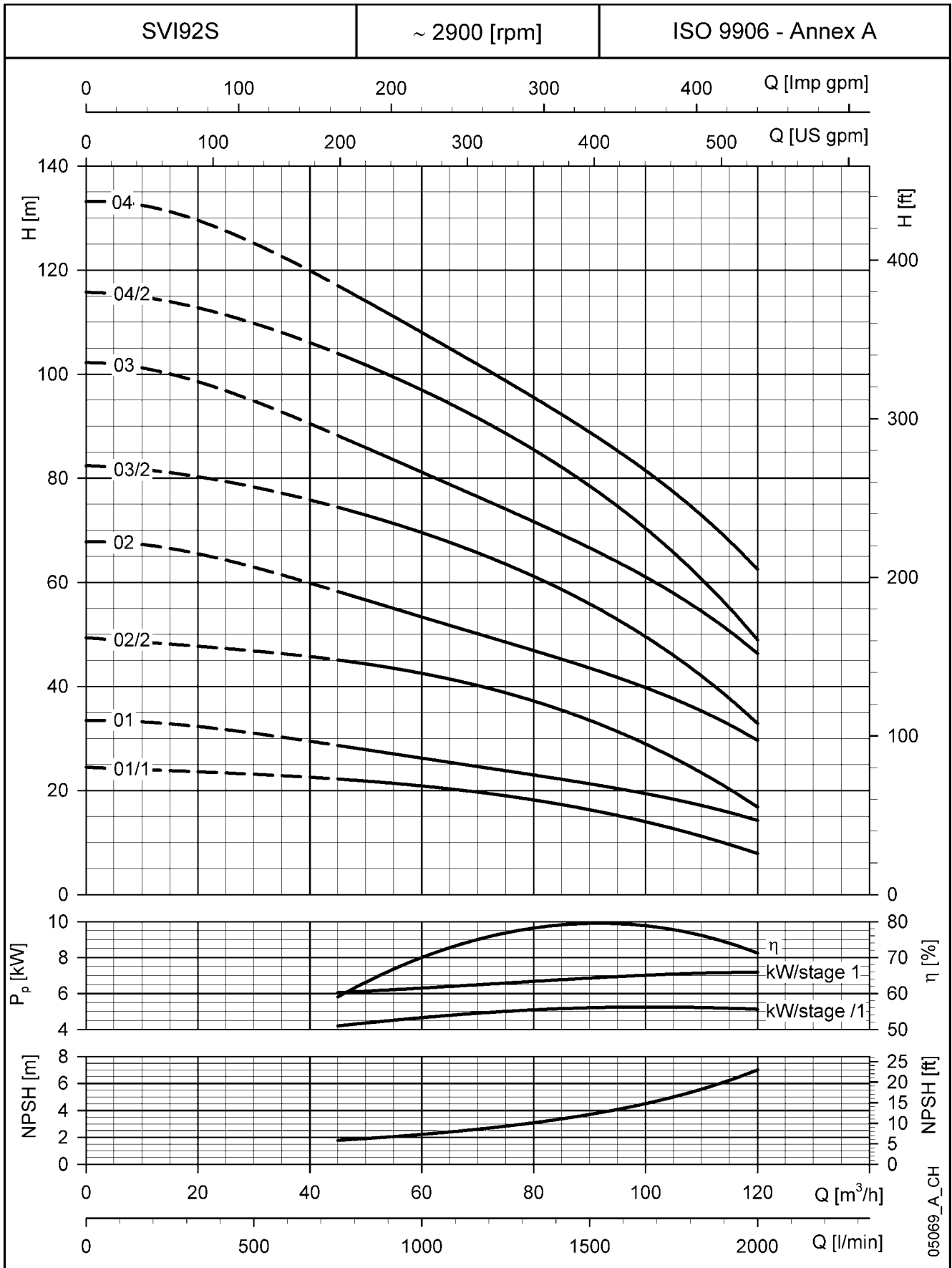
Tel. 0294-457712 Fax 0294-457713



# ITT

# POMPODIRECT

## SVI 92 (S, N) SERIES OPERATING CHARACTERISTICS AT 50 Hz, 2 POLES



These performances are valid for liquids with density  $\rho = 1.0 \text{ Kg/dm}^3$  and kinematic viscosity  $\nu = 1 \text{ mm}^2/\text{sec}$ .

Tel. 0294-457712 Fax 0294-457713