



**STANDARD**  
*Pump, Inc.*

Industrial Pumps & Metering Systems

P/N: SP2006

# Table of Contents

## **Drum & Container Pumps (Centrifugal)**

Markets Served	3
Applications	4
Pump Packages	5-6
Drum Pump Motors	7
Pump Tubes	8-12
Motor & Tube Assembly Details	13
Centrifugal Drum Pump Accessories	14

## **Drum & Container Pumps (Progressive Cavity)**

SP-700SR High Viscosity Series Pumps	15
SP-700DD High Viscosity Series Pump	16
SP-700DD Motors	17
Performance Curves	18
Progressive Cavity Drum Pump Accessories	19

## **Metering Systems**

Batch Control Systems (Low Viscosity)	20
Batch Control Systems (High Viscosity)	21

## **Flow Meters**

Turbine & Oval Gears Meters	22
-----------------------------	----

## **Worldwide Distribution**

23

## ***Markets Served***

***AUTOMOTIVE***

***CHEMICAL PACKAGING***

***WASTE WATER TREATMENT***

***CHEMICAL MANUFACTURING***

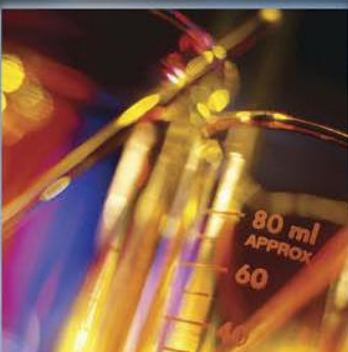
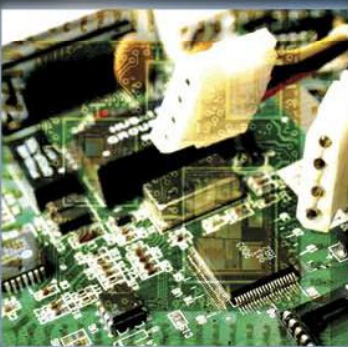
***PLATING***

***SEMI-CONDUCTOR***

***PHARMACEUTICAL***

***AGRICULTURE***

***PETROLEUM***





# Applications



**Drums & Barrels**



**Laboratory**



**Large Storage Vessels**



**Small Storage Vessels**



### PUMP PACKAGE 1 (Water Treatment Chemicals)

Engineered to transfer corrosive chemicals associated with the water treatment industry. Common applications include: Sodium Hypochlorite, Potassium Hydroxide and Sodium Bromide.

Motor type:	SP-280P or SP-280P-2
Pump assembly:	CPVC
Pump length:	39" (1000 mm)
PVC hose:	6 ft. (1.8 m), I.D. 1" (25 mm)
Dispensing nozzle:	1" (25 mm), polypropylene
Barrel adapter:	Polypropylene
Storage bracket:	16 gauge coated steel
Max flow rate:	35 GPM (132 LPM)
Max. pressure:	35 ft. (10 M)
Max. viscosity:	1500 CPS / Mpas
Max. temperature:	190°F (90°C)

<b>PART NUMBER:</b>
9430 110 Volt package
9431 230 Volt package



### PUMP PACKAGE 2 (Acids & Alkalies)

Engineered to transfer mildly corrosive liquids. Common applications include: Hydrochloric Acid, Nitric Acid - 20%, Acetic Acid and Sulfuric Acid.

Motor type:	SP-280P or SP-280P-2
Pump assembly:	Polypropylene
Pump length:	39" (1000 mm)
PVC hose:	6 ft. (1.8 m), I.D. 1" (25 mm)
Dispensing nozzle:	1" (25 mm), polypropylene
Barrel adapter:	Polypropylene
Storage bracket:	16 gauge coated steel
Max flow rate:	35 GPM (132 LPM)
Max. pressure:	35 ft. (10 M)
Max. viscosity:	1500 CPS / Mpas
Max. temperature:	130°F (55°C)

<b>PART NUMBER:</b>
9400 110 Volt package
9401 230 Volt package



### PUMP PACKAGE 3 (Concentrated Acids & Alkalies)

Engineered for transferring very concentrated and extremely aggressive liquids. Common applications include: Sulfuric Acid 66 Baumé, Propionic Acid, Concentrated Nitric - 98% and Hydrofluoric Acid.

Motor type:	SP-ENC or SP-ENC-2
Pump assembly:	PVDF
Pump length:	39" (1000 mm)
PVC hose:	6 ft. (1.8 m), I.D. 1" (25 mm)
Dispensing nozzle:	1" (25 mm), PVDF
Barrel adapter:	Polypropylene
Storage bracket:	16 gauge coated steel
Max flow rate:	35 GPM (132 LPM)
Max. pressure:	35 ft. (10 M)
Max. viscosity:	1500 CPS / Mpas
Max. temperature:	175°F (80°C)

<b>PART NUMBER:</b>
9420 110 Volt package
9421 230 Volt package

## PUMP PACKAGE 4

(Acids & Alkalies Measurement)

Unique design allows users to safely measure and transfer mildly corrosive liquids. Common applications include: Hydrochloric Acid, Nitric Acid - 20%, Acetic Acid and Sulfuric Acid.

Motor type:	SP-280P or SP-280P-2
Pump assembly:	Polypropylene
Pump length:	39" (1000 mm)
PVC hose:	6 ft. (1.8 m), I.D. 1" (25 mm)
Dispensing nozzle:	1" (25 mm), Polypropylene
Flow meter:	Digital / polypropylene flow meter / totalizer
Barrel adapter:	Polypropylene
Storage bracket:	16 gauge coated steel
Max flow rate:	35 GPM (132 LPM)
Max. pressure:	35 ft. (10 M)
Max. viscosity:	300 CPS / Mpas
Max. temperature:	130°F (55°C)

### PART NUMBER:

9500 110 Volt package

9501 230 Volt package



## PUMP PACKAGE 5

(Concentrated Acids & Alkalies Measurement)

Unique design allows operators to safely measure and transfer concentrated and very aggressive liquids. Common applications include: Sulfuric Acid 66 Baumé, Propionic Acid, Concentrated Nitric - 98% and Hydrofluoric Acid.

Motor type:	SP-ENC or SP-ENC-2
Pump assembly:	PVDF (Kynar®)
Pump length:	39" (1000 mm)
PVC hose:	6 ft. (1.8 m), I.D. 1" (25 mm)
Dispensing nozzle:	1" (25 mm), PVDF
Flow meter:	Digital / PVDF flow meter / totalizer
Barrel adapter:	Polypropylene
Storage bracket:	16 gauge coated steel
Max flow rate:	35 GPM (132 LPM)
Max. pressure:	35 ft. (10 M)
Max. viscosity:	300 CPS / Mpas
Max. temperature:	175°F (80°C)

### PART NUMBER:

9510 110 Volt package

9511 230 Volt package



Note: Special configurations are available upon request. Please consult factory.




 Warning: Not Suitable For Pumping Flammable or Combustible Liquids NOTE: V.S.D. = Variable Speed Drive




 Warning: Not Suitable For Pumping Flammable or Combustible Liquids NOTE: V.S.D. = Variable Speed Drive




 Warning: Not Suitable For Pumping Flammable or Combustible Liquids NOTE: V.S.D. = Variable Speed Drive











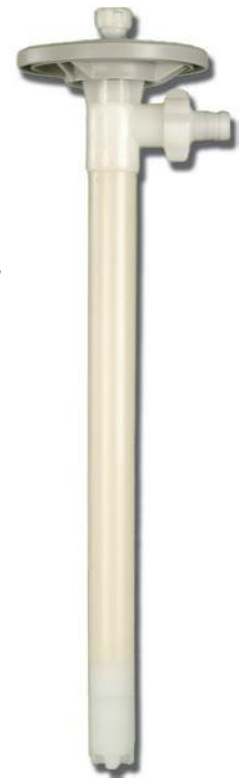





STANDARDS's PVDF pump tube is engineered for transferring highly concentrated aggressive liquids. Robust PVDF offers excellent durability and chemical resistance.

### Common Applications

- Concentrated Nitric Acid    ➤ Sodium Hypochlorite    ➤ Propionic Acid
- Sulfuric Acid-66 Baume    ➤ Hydrofluoric Acid    ➤ Stearic Acid



### Technical Data

**Design:** Seal-less / Centrifugal

**Maximum Temp:** 175°F/80°C

**Viscosity:** 1500 Cps/mPas (280, ENC)  
750 Cps/mPas (A-2, ODP, 400)  
450 Cps/mPas (A-1)

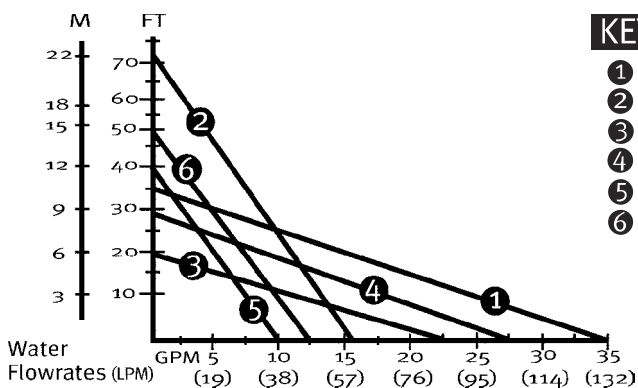
**Wetted Materials:** PVDF  
Carbon  
Hastelloy

**Discharge Options:** 1" (25mm) barb  
3/4" (22mm) barb

**Maximum Specific Gravity:** 1.8

Model	Tube Assembly	Length	Shaft	Impeller
SP-PVDF-27	PVDF	27" (700 mm)	Hastelloy	High Volume
SP-PVDF-39	PVDF	39" (1000 mm)	Hastelloy	High Volume
SP-PVDF-47	PVDF	47" (1200 mm)	Hastelloy	High Volume
SP-PVDF-HH-27	PVDF	27" (700 mm)	Hastelloy	High Pressure
SP-PVDF-HH-39	PVDF	39" (1000 mm)	Hastelloy	High Pressure
SP-PVDF-HH-47	PVDF	47" (1200 mm)	Hastelloy	High Pressure

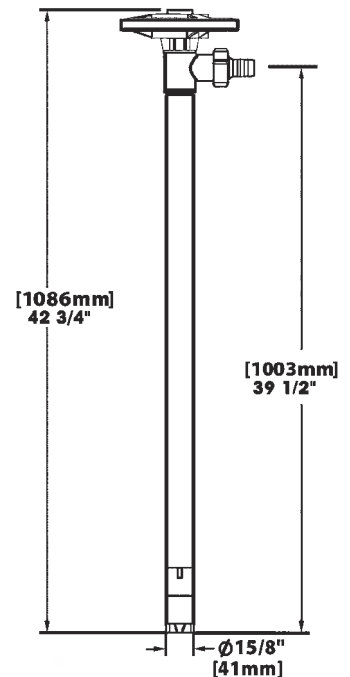
NOTE: Additional lengths available upon request.



#### KEY:

- ① 280,ENC/High Volume Tube
- ② 280,ENC/High Pressure Tube
- ③ A-1/High Volume Tube
- ④ A-2, ODP,400/High Volume Tube
- ⑤ A-1/High Pressure Tube
- ⑥ A-2, ODP,400/High Pressure Tube

Warning: Not suitable for pumping flammable or combustible liquids





STANDARDS's CPVC pump tube is engineered for transferring corrosive chemicals associated with the water treatment industry. Robust CPVC offers excellent durability and chemical resistance.

- Sodium Hypochlorite
- Calcium Hydroxide
- Potassium Hydroxide
- Calcium Chloride
- Chlorinated Water
- Sodium Bromide



### Technical Data

**Design:** Seal-less / Centrifugal

**Maximum Temp:** 190°F/90°C

**Viscosity:** 1500 Cps/mPas (280, ENC)  
750 Cps/mPas (A-2, ODP, 400)  
450 Cps/mPas (A-1)

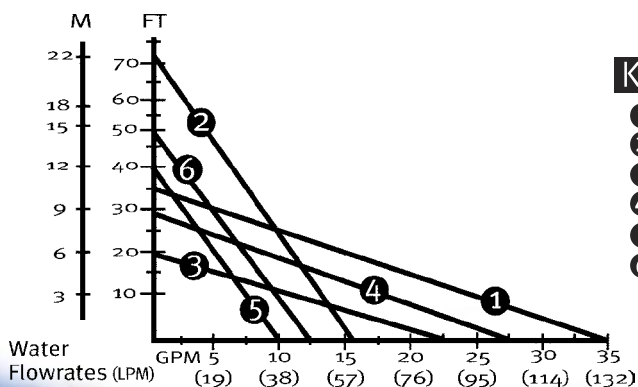
**Wetted Materials:** CPVC  
Carbon  
Hastelloy

**Discharge Options:** 1" (25mm) barb  
3/4" (22mm) barb

**Maximum Specific Gravity:** 1.8

Model	Tube Assembly	Length	Shaft	Impeller
SP-CPVC-27	CPVC	27" (700 mm)	Hastelloy	High Volume
SP-CPVC-39	CPVC	39" (1000 mm)	Hastelloy	High Volume
SP-CPVC-47	CPVC	47" (1200 mm)	Hastelloy	High Volume
SP-CPVC-60	CPVC	60" (1500 mm)	Hastelloy	High Volume
SP-CPVC-72	CPVC	72" (1800 mm)	Hastelloy	High Volume
SP-CPVC-HH-27	CPVC	27" (700 mm)	Hastelloy	High Pressure
SP-CPVC-HH-39	CPVC	39" (1000 mm)	Hastelloy	High Pressure
SP-CPVC-HH-47	CPVC	47" (1200 mm)	Hastelloy	High Pressure
SP-CPVC-HH-60	CPVC	60" (1500 mm)	Hastelloy	High Pressure
SP-CPVC-HH-72	CPVC	72" (1800 mm)	Hastelloy	High Pressure

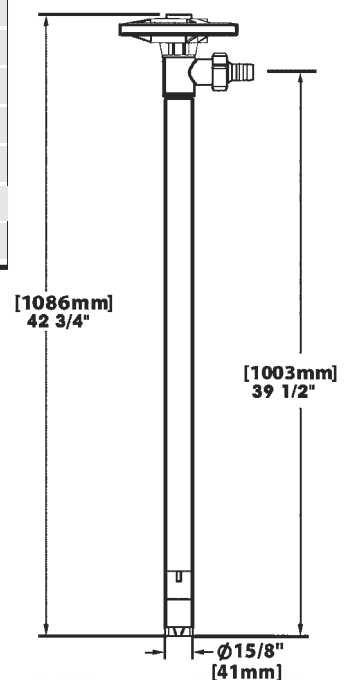
**NOTE:** Additional lengths available upon request.



**KEY:**

- ① 280, ENC/High Volume Tube
- ② 280, ENC/High Pressure Tube
- ③ A-1/High Volume Tube
- ④ A-2, ODP, 400/High Volume Tube
- ⑤ A-1/High Pressure Tube
- ⑥ A-2, ODP, 400/High Pressure Tube

Not suitable for pumping flammable or combustible liquids



STANDARDS's Stainless pump tube is engineered for transferring flammable and combustible liquids. Robust Stainless Steel 316 offers excellent strength and durability.

### Common Applications

- Alcohol
- Gasoline
- Aqueous Ammonia
- Isopropyl Ether
- Solvents
- Petroleum Products

### Technical Data

**Design:** Seal-less / Centrifugal

**Maximum Temp:** 175°F/80°C

**Viscosity:** 1500 Cps/mPas (280, ENC)  
750 Cps/mPas (A-2, ODP, 400)  
450 Cps/mPas (A-1)

**Wetted Materials:** 316SS  
Carbon  
Teflon

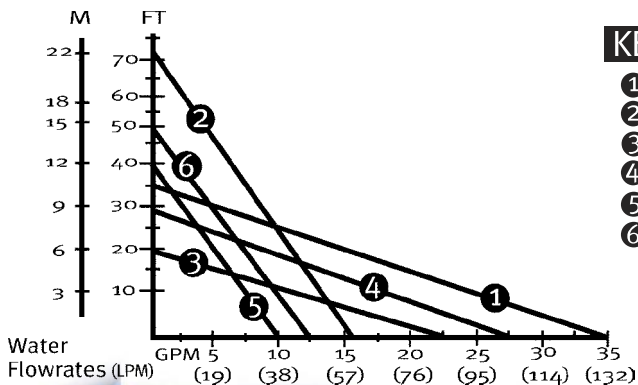
**Discharge Options:** 1" (25mm) barb  
3/4" (22mm) barb

**Maximum Specific Gravity:** 1.8

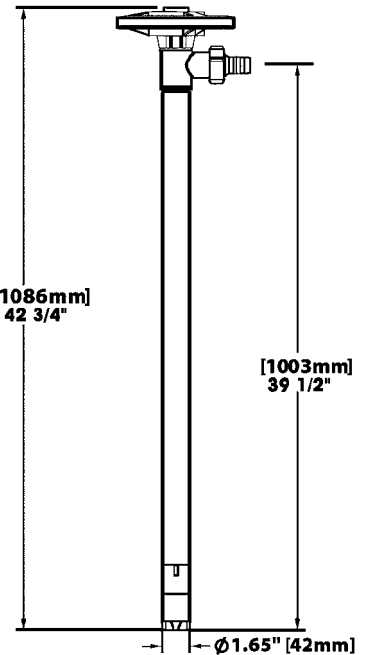


SP-SS-27	Stainless	27" (700 mm)	Stainless	High Volume
SP-SS-39	Stainless	39" (1000 mm)	Stainless	High Volume
SP-SS-47	Stainless	47" (1200 mm)	Stainless	High Volume
SP-SS-60	Stainless	60" (1500 mm)	Stainless	High Volume
SP-SS-72	Stainless	72" (1800 mm)	Stainless	High Volume
SP-SS-HH-27	Stainless	27" (700 mm)	Stainless	High Pressure
SP-SS-HH-39	Stainless	39" (1000 mm)	Stainless	High Pressure
SP-SS-HH-47	Stainless	47" (1200 mm)	Stainless	High Pressure
SP-SS-HH-60	Stainless	60" (1500mm)	Stainless	High Pressure
SP-SS-HH-72	Stainless	72" (1800 mm)	Stainless	High Pressure

NOTE: Additional lengths available upon request.



**Warning:** When pumping flammable or combustible liquids pump tube must be used in conjunction with an explosion proof motor.



STANDARDS'S Polypropylene pump tube is engineered for transferring corrosive liquids. Robust Polypropylene ensures chemical resistance against light to mildly aggressive media.



### Common Applications

- Acetic Acid
- Sulfuric Acid
- Hydrochloric - 20%
- Nitric Acid - 20%
- Alkalies
- Ferric Chloride

### Technical Data

**Design:** Seal-less / Centrifugal

**Maximum Temp:** 130°F/55°C

**Viscosity:** 1500 Cps/mPas (280, ENC)  
750 Cps/mPas (A-2, ODP, 400)  
450 Cps/mPas (A-1)

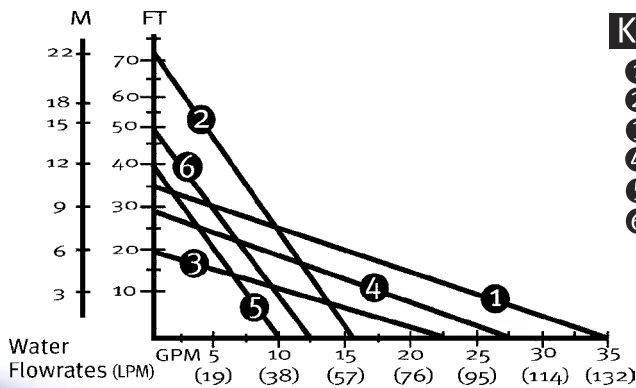
**Wetted Materials:** Polypropylene  
Carbon  
Hastelloy

**Discharge Options:** 1" (25mm) barb  
3/4" (22mm) barb

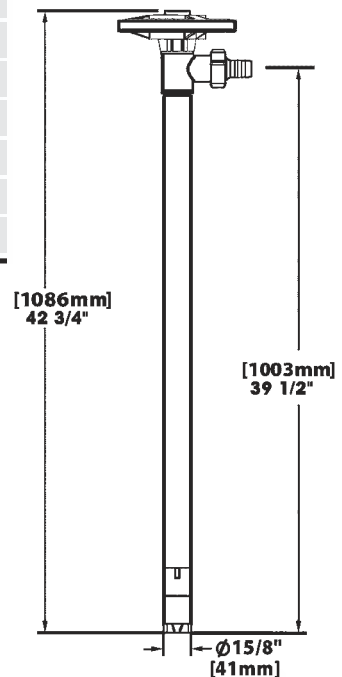
**Maximum Specific Gravity:** 1.8

Model	Tube Assembly	Length	Shaft	Impeller
SP-PP-27	Polypropylene	27" (700 mm)	Hastelloy	High Volume
SP-PP-39	Polypropylene	39" (1000 mm)	Hastelloy	High Volume
SP-PP-47	Polypropylene	47" (1200 mm)	Hastelloy	High Volume
SP-PP-60	Polypropylene	60" (1500 mm)	Hastelloy	High Volume
SP-PP-72	Polypropylene	72" (1800 mm)	Hastelloy	High Volume
SP-PP-HH-27	Polypropylene	27" (700 mm)	Hastelloy	High Pressure
SP-PP-HH-39	Polypropylene	39" (1000 mm)	Hastelloy	High Pressure
SP-PP-HH-47	Polypropylene	47" (1200 mm)	Hastelloy	High Pressure
SP-PP-HH-60	Polypropylene	60" (1500mm)	Hastelloy	High Pressure
SP-PP-HH-72	Polypropylene	72" (1800 mm)	Hastelloy	High Pressure

**NOTE:** Additional lengths available upon request.



**Warning:** Not suitable for pumping flammable or combustible liquids





STANDARDS's Polypropylene (PHT) pump tube is engineered for transferring high temperature corrosive liquids. Robust Polypropylene ensures chemical resistance and excellent heat deflection against light to mildly aggressive media.

### Common Applications

- Acetic Acid
- Sulfuric Acid
- Hydrochloric - 20%
- Nitric Acid - 20%
- Alkalies
- Ferric Chloride

### Technical Data

**Design:** Seal-less / Centrifugal

**Maximum Temp:** 175°F/80°C

**Viscosity:** 1500 Cps/mPas (280, ENC)  
750 Cps/mPas (A-2, ODP, 400)  
450 Cps/mPas (A-1)

**Wetted Materials:** Polypropylene  
Carbon  
Hastelloy

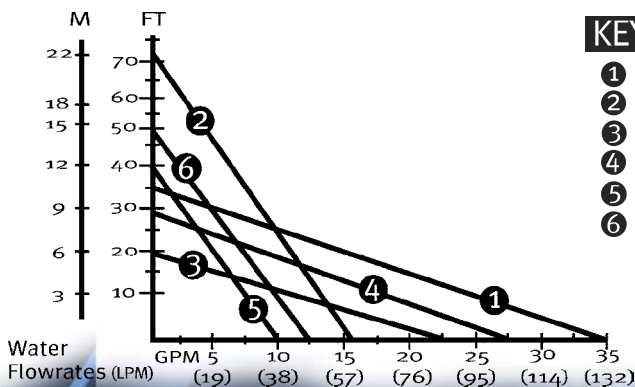
**Discharge Options:** 1" (25mm) barb  
3/4" (22mm) barb

**Maximum Specific Gravity:** 1.8

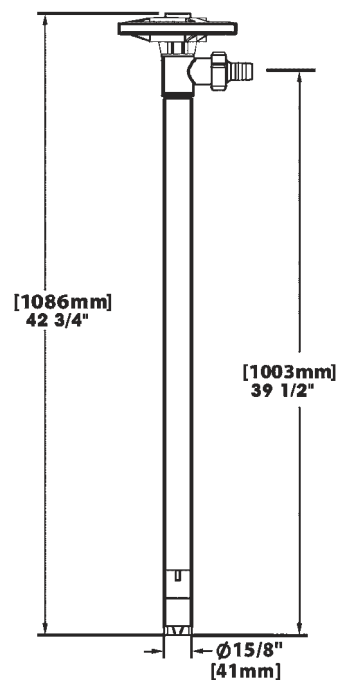


Model	Tube Assembly	Length	Shaft	Impeller
SP-PHT-27	Polypropylene	27" (700 mm)	Hastelloy	High Volume
SP-PHT-39	Polypropylene	39" (1000 mm)	Hastelloy	High Volume
SP-PHT-47	Polypropylene	47" (1200 mm)	Hastelloy	High Volume
SP-PHT-60	Polypropylene	60" (1500 mm)	Hastelloy	High Volume
SP-PHT-72	Polypropylene	72" (1800 mm)	Hastelloy	High Volume
SP-PHT-HH-27	Polypropylene	27" (700 mm)	Hastelloy	High Pressure
SP-PHT-HH-39	Polypropylene	39" (1000 mm)	Hastelloy	High Pressure
SP-PHT-HH-47	Polypropylene	47" (1200 mm)	Hastelloy	High Pressure
SP-PHT-HH-60	Polypropylene	60" (1500mm)	Hastelloy	High Pressure
SP-PHT-HH-72	Polypropylene	72" (1800 mm)	Hastelloy	High Pressure

**NOTE:** Additional lengths available upon request.



**Warning:** Not suitable for pumping flammable or combustible liquids



**Variable speed control**



**Unique drop-in brush system**

**Multi certified motors meet stringent North American and European standards**



**Powerful 1.1 hp (825 watt) Double insulated motors 115 / 220v models**

**Optional thermal overload or low voltage release switches**

**Motor housing provides added chemical resistance**

**Handwheel modular design**

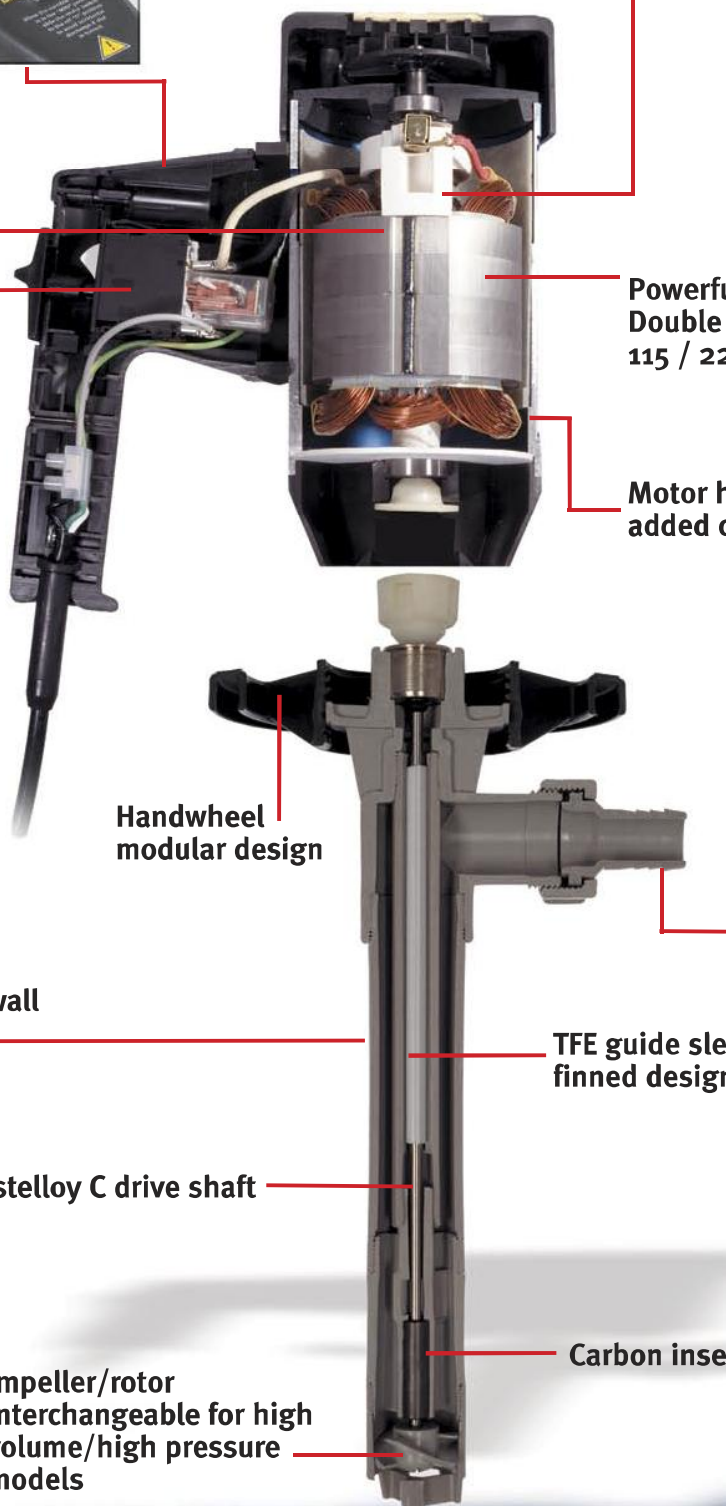
**Thick, robust wall construction**

**TFE guide sleeve finned design**

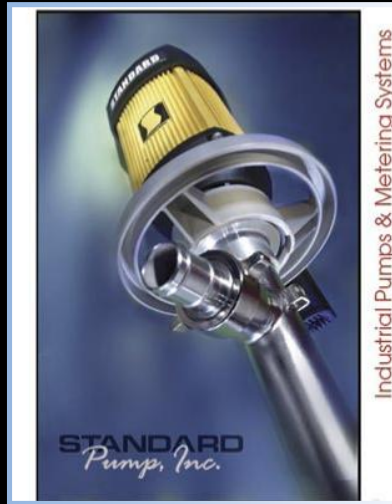
**Hastelloy C drive shaft**

**Carbon insert**

**Impeller/rotor interchangeable for high volume/high pressure models**



# BARREL AND CONTAINER PUMPS



Industrial Pumps & Metering Systems



Sanitary Pumps & Metering Systems

**STANDARD**  
*Pump, Inc.*

3230 Industrial Way • Snellville, GA 30039

Toll Free: 800.428.2408

Tel: 770.972.9693

Fax: 770.972.9694

[info@standardpump.com](mailto:info@standardpump.com)

[www.standardpump.com](http://www.standardpump.com)

Distributed By:

POMP  DIRECT

Tel. 0294-457712 Fax 0294-457713