

Submersible motor driven mixer

- Unit
- Accessories (standard)

**50 Hz
Standard Programme**

Areas of application

In environmental engineering for the treatment of municipal and industrial sewage/waste water/effluents and sludge.

For mixing, homogenizing and thickening

- in sludge storage tanks
- during the thickening process
- in the sludge dewatering process
- to optimise heat transfer
- for the cleaning of pump sumps
- to prevent formation of deposits on tank walls and floor
- to remove floating sludge

Operating data

| | |
|------------------------------|-------------------|
| Amamix [®] direct | |
| Nominal propeller diameter D | 215 mm ... 600 mm |
| Power rating | P up to 10 kW |
| Fluid temperature | T up to 40 °C |
| Installation depth | H up to 30 m |

Design

Horizontal submersible motor mixers with ECB propellers in close-coupled design, direct-driven.

Drive

- Three-phase asynchronous motor 400 V/50 Hz,
(Var. 500 V, 690 V)
- Also in explosionproof design: ATEX II2G EEx d IIB T4

Bearing assembly

Maintenance-free rolling element bearings, sealed for life.

Shaft seal

Two bi-directional mechanical seals, with environmentally friendly oil chamber.

Materials

Standard design in cast iron.


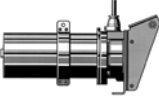

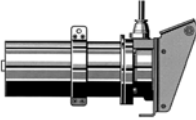

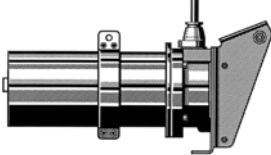

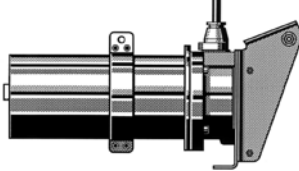
Material variants in corrosion and wear-resistant stainless steel.

Designation

| | | | | | | |
|---------------------------------|---------------|----------|----------------|-----------|-----------|----------|
| | Amamix | C | 635 / 8 | 12 | YM | C |
| Series | _____ | _____ | _____ | _____ | _____ | _____ |
| Material variant of propeller | _____ | _____ | _____ | _____ | _____ | _____ |
| Nominal propeller diameter code | _____ | _____ | _____ | _____ | _____ | _____ |
| No. of blades | _____ | _____ | _____ | _____ | _____ | _____ |
| Blade angle code | _____ | _____ | _____ | _____ | _____ | _____ |
| Motor size | _____ | _____ | _____ | _____ | _____ | _____ |
| No. of poles | _____ | _____ | _____ | _____ | _____ | _____ |
| Motor design | _____ | _____ | _____ | _____ | _____ | _____ |
| Material variant of unit | _____ | _____ | _____ | _____ | _____ | _____ |

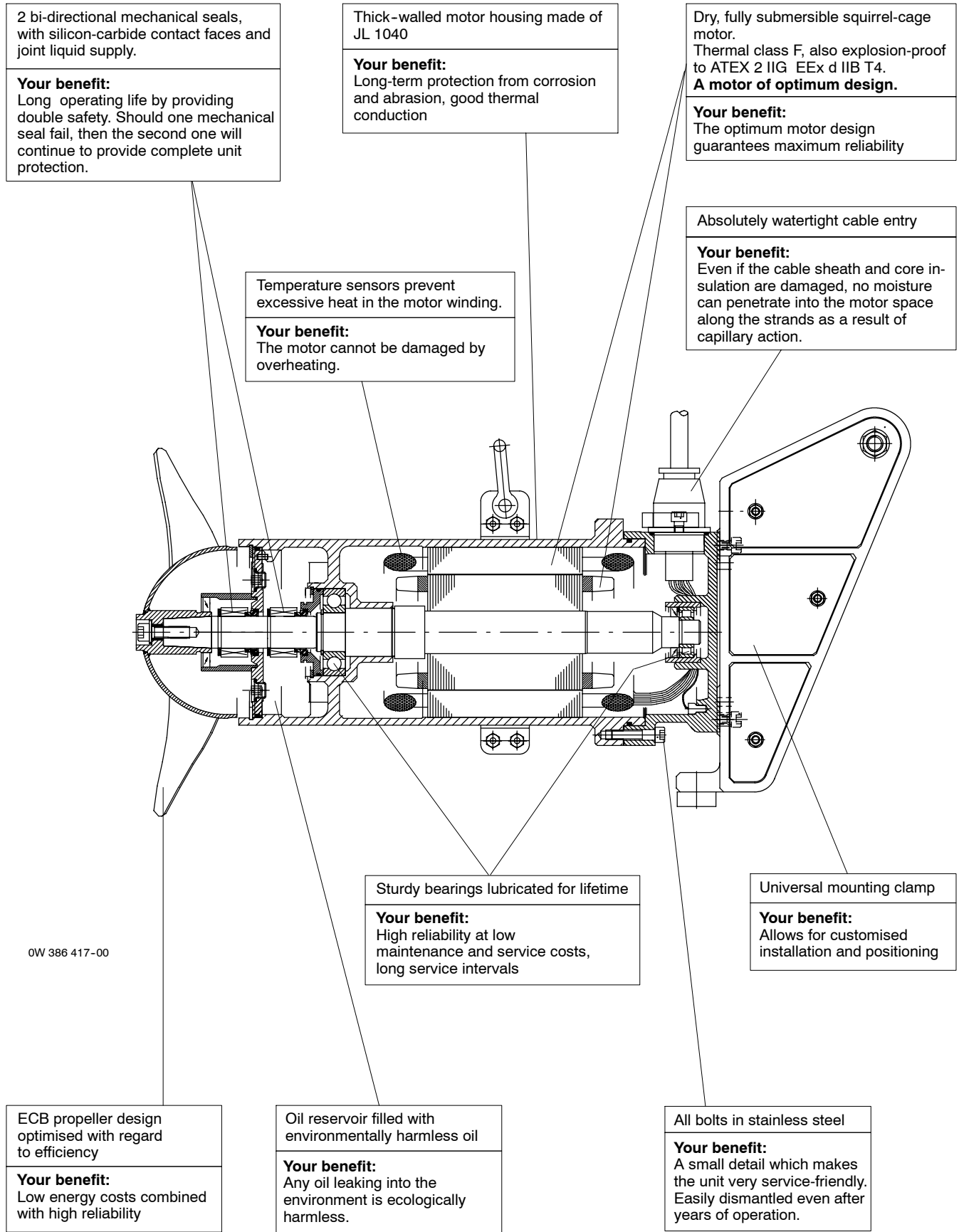
Modular design Amamix direct

Nominal propeller diameter

| | | | Motor size |
|---------|---|---|---|
| 215 |  |  | 1 4/2 4 |
| 300 |  |  | 1 6/2 6 |
| 400 |  |  | 2 8/4 8 |
| 500/600 |  |  | 5 12/6 12/9 12/10 12 Material variant G 3 12/4 12/7 12/8 12 Material variant C |

Product advantages

Example: **Amamix 400 G**



2 bi-directional mechanical seals, with silicon-carbide contact faces and joint liquid supply.

Your benefit:
Long operating life by providing double safety. Should one mechanical seal fail, then the second one will continue to provide complete unit protection.

Thick-walled motor housing made of JL 1040

Your benefit:
Long-term protection from corrosion and abrasion, good thermal conduction

Dry, fully submersible squirrel-cage motor. Thermal class F, also explosion-proof to ATEX 2 IIG EEx d IIB T4. **A motor of optimum design.**

Your benefit:
The optimum motor design guarantees maximum reliability

Temperature sensors prevent excessive heat in the motor winding.

Your benefit:
The motor cannot be damaged by overheating.

Absolutely watertight cable entry

Your benefit:
Even if the cable sheath and core insulation are damaged, no moisture can penetrate into the motor space along the strands as a result of capillary action.

Sturdy bearings lubricated for lifetime

Your benefit:
High reliability at low maintenance and service costs, long service intervals

Universal mounting clamp

Your benefit:
Allows for customised installation and positioning

ECB propeller design optimised with regard to efficiency

Your benefit:
Low energy costs combined with high reliability

Oil reservoir filled with environmentally harmless oil

Your benefit:
Any oil leaking into the environment is ecologically harmless.

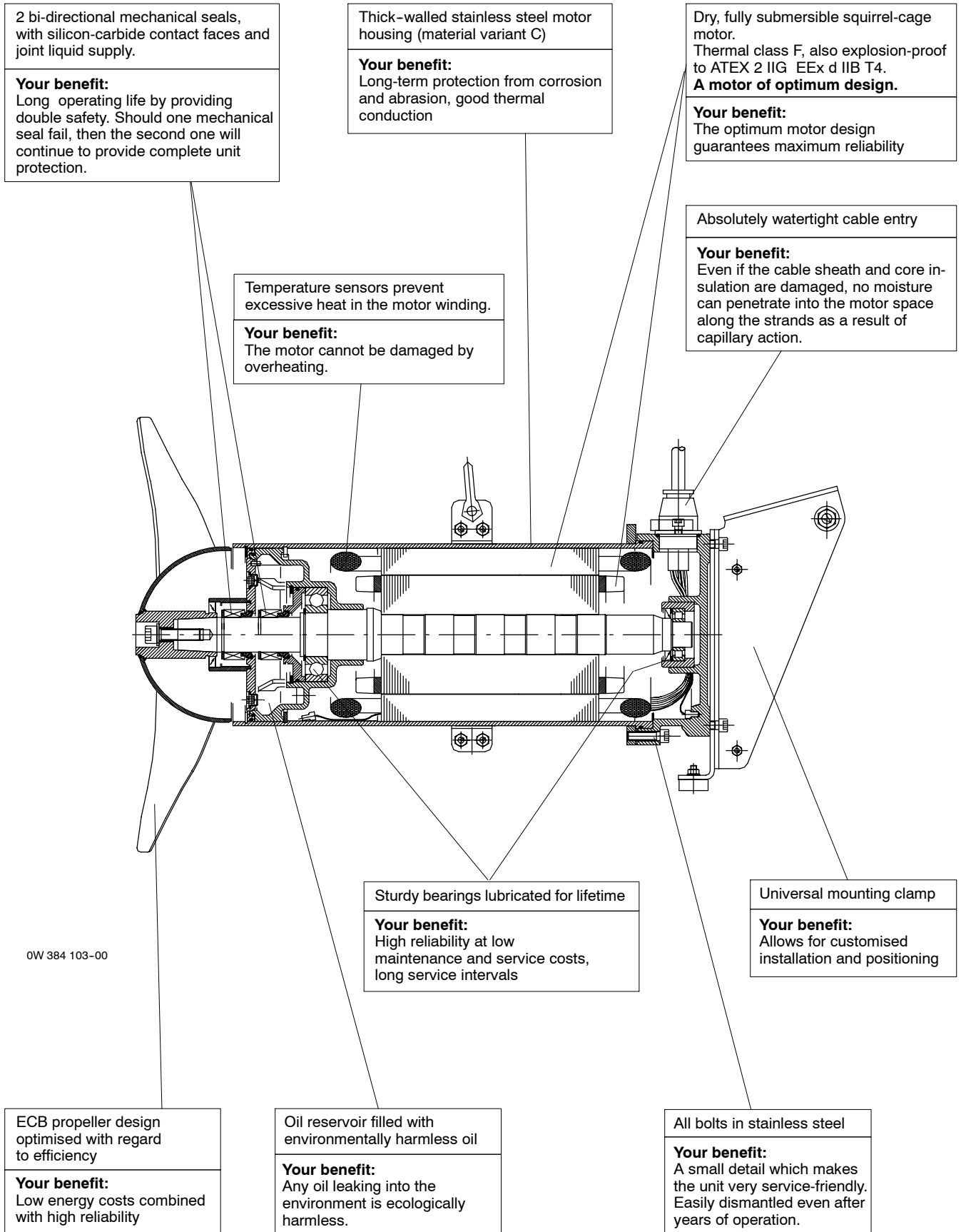
All bolts in stainless steel

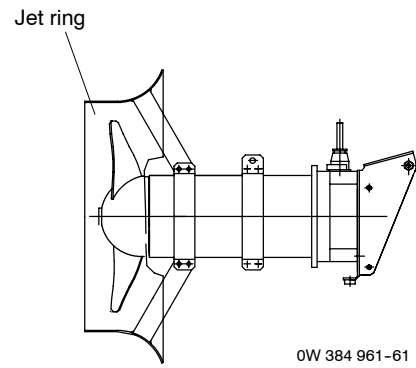
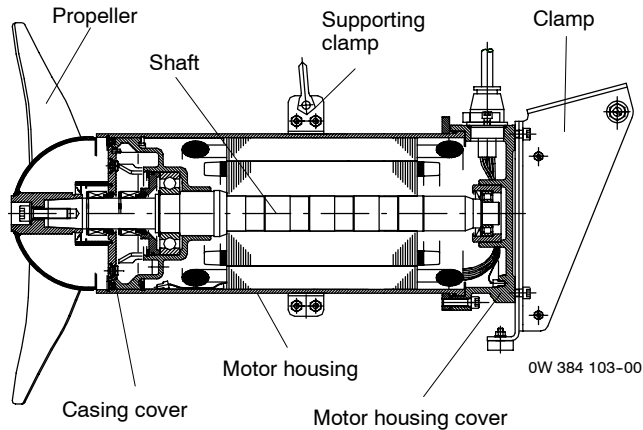
Your benefit:
A small detail which makes the unit very service-friendly. Easily dismantled even after years of operation.

0W 386 417-00

Product advantages

Example: **Amamix 600 C**





Material variant

| Part | Material variant | | |
|---------------------|------------------------------------|-----------|--------|
| | G | C | |
| Pump Unit | | | |
| Motor housing | JL 1040 | 1.4581 | |
| Motor housing cover | JL 1040 | 1.4517 | |
| Casing cover | JL 1040 | 1.4571 | |
| Propeller | Amamix 215 | PU | 1.4571 |
| | other sizes | 1.4571 | |
| Mechanical seal | propeller side | SiC / SiC | |
| | motor side | SiC / SiC | |
| Shaft | 1.4571 (Amamix 600 G in 1.4021) | | |
| O-rings | Viton (FPM) | | |
| Bolts | A4 (as 1.4571) | | |
| Clamp | JL 1040 | 1.4571 | |
| Supporting clamp | 1.4571 | | |
| Jet ring (option) | - | 1.4571 | |

Material comparison

| EN | Similar to ASTM material |
|-------------------|--------------------------|
| JL 10 40 | A 48 Class 35 B |
| 1.4517 | A 743 CD 4 MCU |
| 1.4571 / 1.4581 | A 276 Type 316 Ti |
| 1.4021 | A 276 Type 420 |
| PU (Polyurethane) | Polyurethane |
| FPM | FKM |

JL 1040 → GG-25

Oil fill for mech. seal reservoir

| | |
|------------------------|-------|
| Amamix 215 G | 0.3 l |
| Amamix 215 C | 0.4 l |
| Amamix 300 G / C | 0.4 l |
| Amamix 400 G / C | 0.8 l |
| Amamix 500 / 600 G / C | 1.4 l |

Materials

Grey Cast Iron JL 1040 (GG-25) Graphite cast iron

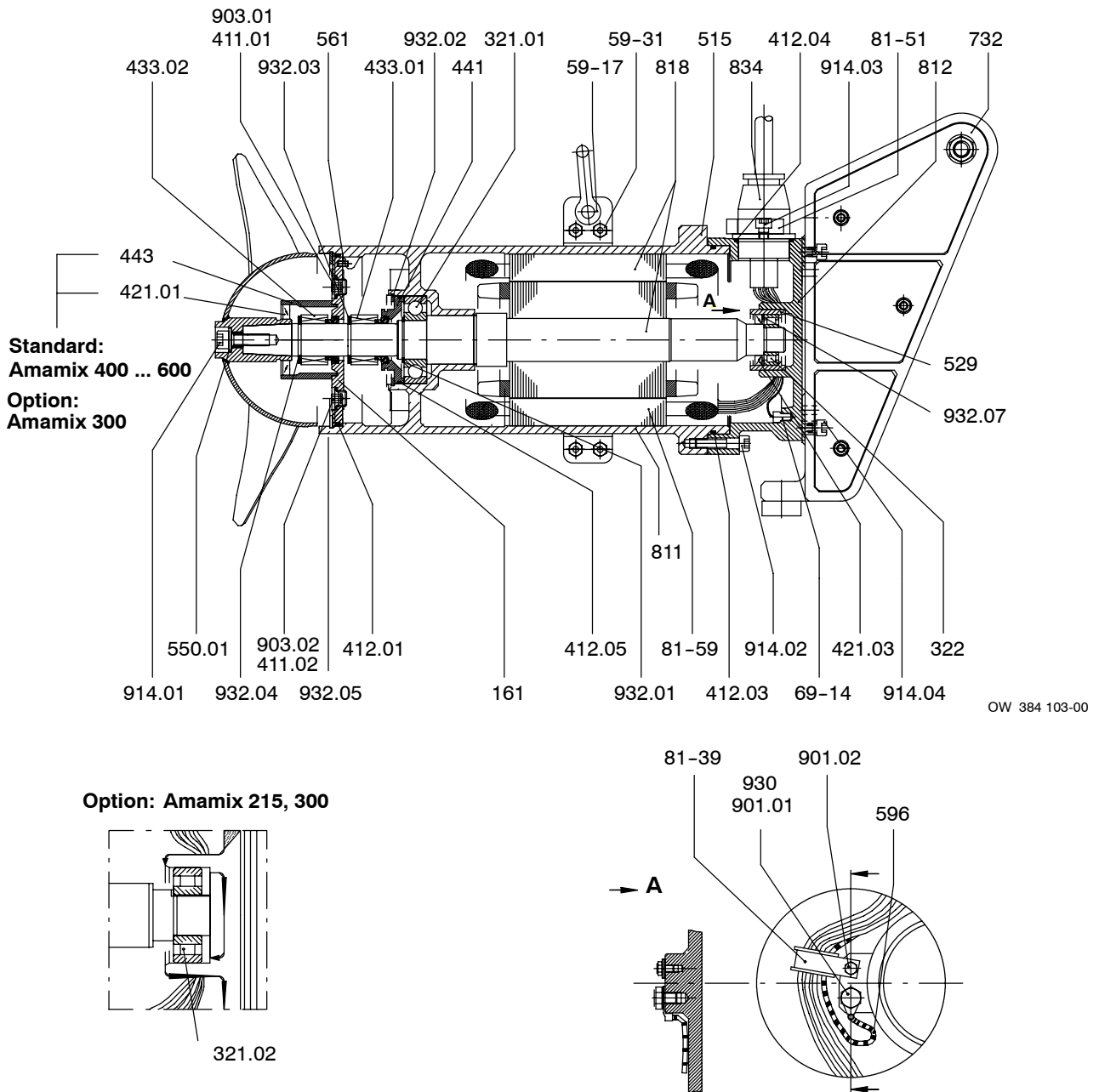
This graphite cast iron to DIN 1691 is used most commonly for pumping municipal sewage, foul water, sludges and storm and surface water. It is suitable for neutral and slightly aggressive media.
The pH-value should be ≥ 6.5 ; and the sand content ≤ 0.5 g/l.

1.4571 / 1.4581 (X10 CrNiMoTi 18 10) Austenitic steel

This austenitic steel acc. to DIN 17 440 is highly corrosion-resistant in municipal and chemical effluent and is more resistant against intercrystalline corrosion due to its titanium stabilisation even when welded.

Duplex Steel Cast Stainless steel (1.4517 or technically equivalent material)

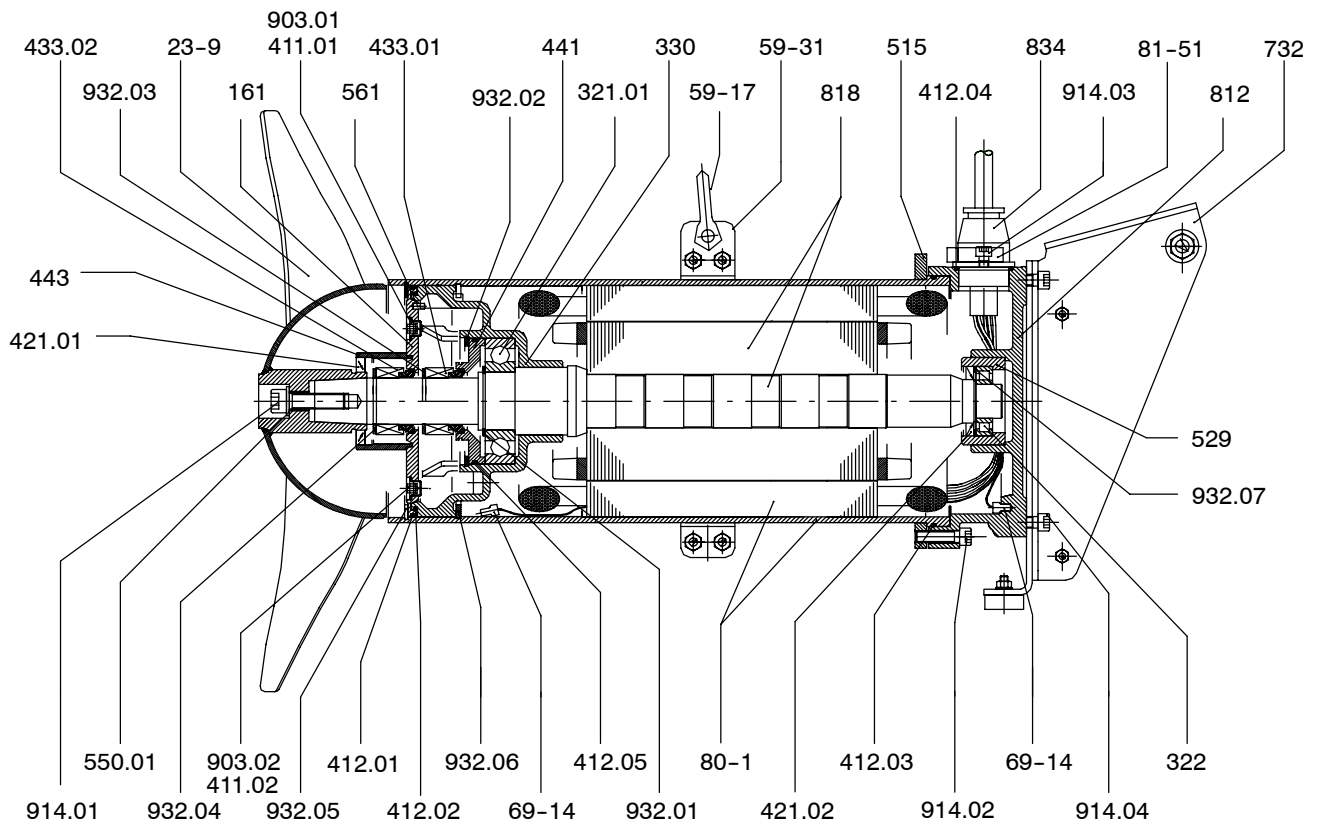
The resistance to pitting of this ferritic-austenitic stainless cast steel makes it particularly suitable to pump sewage containing substantial amounts of chlorides and acids or sea and brackish water.
Its good chemical resistance, even to phosphorus and sulphur, makes it suitable for wide application in the chemical and process industries.
Units manufactured in duplex steel have also been used very successfully to pump brine and chemical effluents (pH 1-12), foul water and seepage from waste tips.

General drawing with list of components (material variant G)
Example: Amamix C 435/4 8 UDG


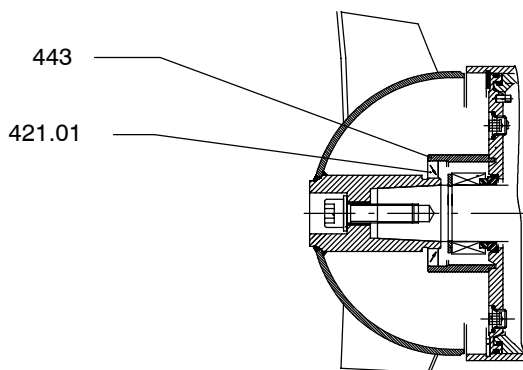
| Part No. | Part description | Part No. | Part description | Part No. | Part description |
|----------|------------------------|----------|------------------|----------|---------------------------|
| 161 | Casing cover | 529 | Bearing sleeve | 80-1 | Motor housing with stator |
| 23-9 | Propeller | 550 | Disc | 812 | Motor housing cover |
| 321 | Radial ball bearing | 561 | Grooved pin | 818 | Rotor |
| 322 | Radial roller bearing | 59-17 | Shackle | 834 | Cable entry |
| 411 | Joint ring | 59-31 | Supporting clamp | 903 | Screwed plug |
| 412 | O-ring | 69-14 | Leakage sensor | 914 | Socket hd. cap screw |
| 421 | Radial shaft seal ring | 732 | Clamp | 932 | Circlip |
| 433 | Mechanical seal | | | | |
| 441 | Housing for shaft seal | | | | |

General drawing with list of components (material variant C)

Example: Amamix C 635/8 12 YMC



OW 384 103-00



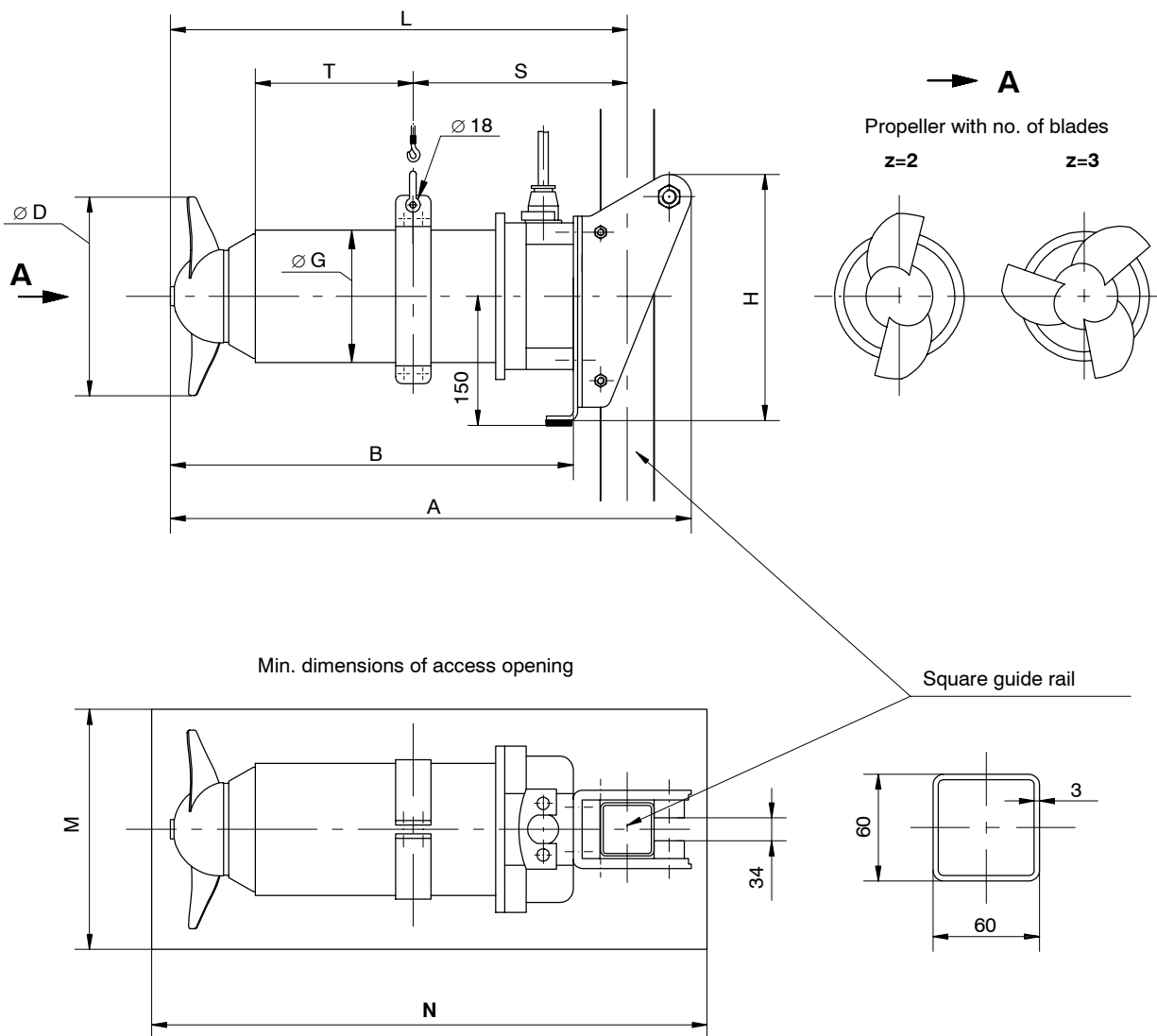
Covered bellows-type mechanical seal

- for Amamix 400, 500, 600 standard
- for Amamix 300 option

| Part No. | Part description | Part No. | Part description | Part No. | Part description |
|----------|------------------------|----------|------------------|----------|---------------------------|
| 161 | Casing cover | 443 | Seal insert | 80-1 | Motor housing with stator |
| 23-9 | Propeller | 515 | Taper lock ring | 812 | Motor housing cover |
| 321 | Radial ball bearing | 529 | Bearing sleeve | 818 | Rotor |
| 322 | Radial roller bearing | 550 | Disc | 834 | Cable entry |
| 330 | Bearing bracket | 561 | Grooved pin | 903 | Screwed plug |
| 411 | Joint ring | 59-17 | Shackle | 914 | Socket hd. cap screw |
| 412 | O-ring | 59-31 | Supporting clamp | 932 | Circlip |
| 421 | Radial shaft seal ring | 69-14 | Leakage sensor | | |
| 433 | Mechanical seal | 732 | Clamp | | |
| 441 | Housing for shaft seal | | | | |

Technical data
Amamix 215 400 V, 50 Hz n~1400 min⁻¹
Version without jet ring
Performance data, material variant G

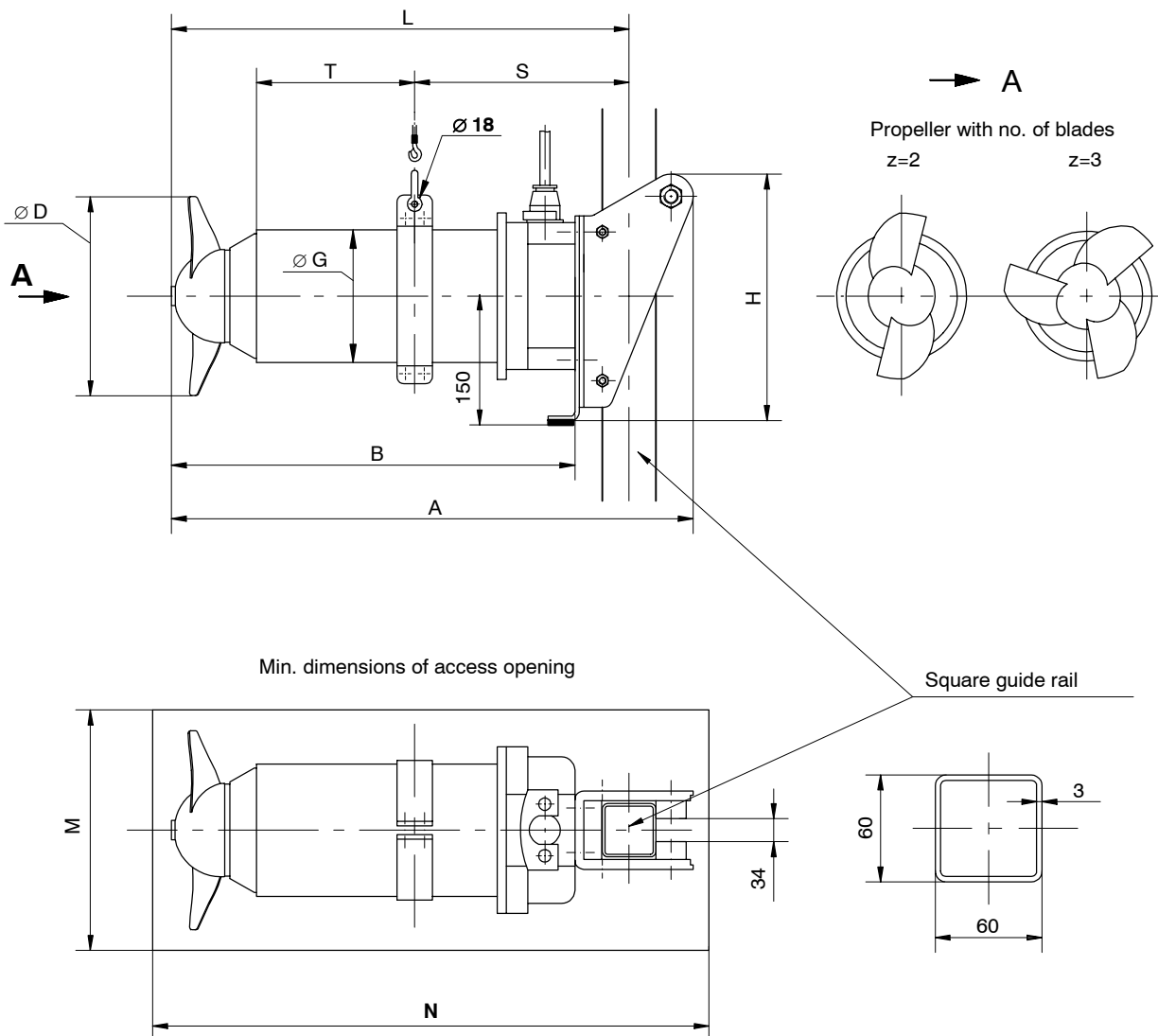
| No. | Size | Motor power P ₂ [kW] | Weight incl. clamp + 10 m power cable [kg] |
|-----|-------------------|---------------------------------------|--|
| | Amamix ... | | |
| 01 | V 222/1 4 UDG/YDG | 1.25 | 32 |
| 02 | V 222/2 4 UDG/YDG | 1.6 | 34.5 |
| 03 | V 233/2 4 UDG/YDG | 2.5 | 34.5 |
| 04 | V 235/2 4 UDG/YDG | 2.5 | 34.5 |


Dimensions table

| Size Amamix ... | Dimensions [mm] | | | | | | | | | | |
|----------------------|-----------------|-----|------|-----|-----|-----|---------|---------|-----|-----|-----|
| | A | B | Ø D | Ø G | H | L | M / z=2 | M / z=3 | N | S | T |
| V 2 ... /1 4 UDG/YDG | 590 | 460 | ~225 | 156 | 290 | 520 | 300 | 350 | 800 | 210 | 240 |
| V 2 ... /2 4 UDG/YDG | | | | | | | | | | 215 | 235 |

Amamix 215
Version without jet ring
400 V, 50 Hz
n~1400 min⁻¹
Performance data, material variant C

| No. | Size | Motor power P ₂ [kW] | Weight incl. clamp + 10 m power cable [kg] |
|-----|-------------------|---------------------------------------|--|
| 01 | C 222/1 4 UMC/YMC | 1.25 | 34.5 |
| 02 | C 222/2 4 UMC/YMC | 1.6 | 37 |
| 03 | C 224/2 4 UMC/YMC | 2.5 | 37 |
| 04 | C 235/2 4 UMC/YMC | 2.5 | 37 |


Dimensions table

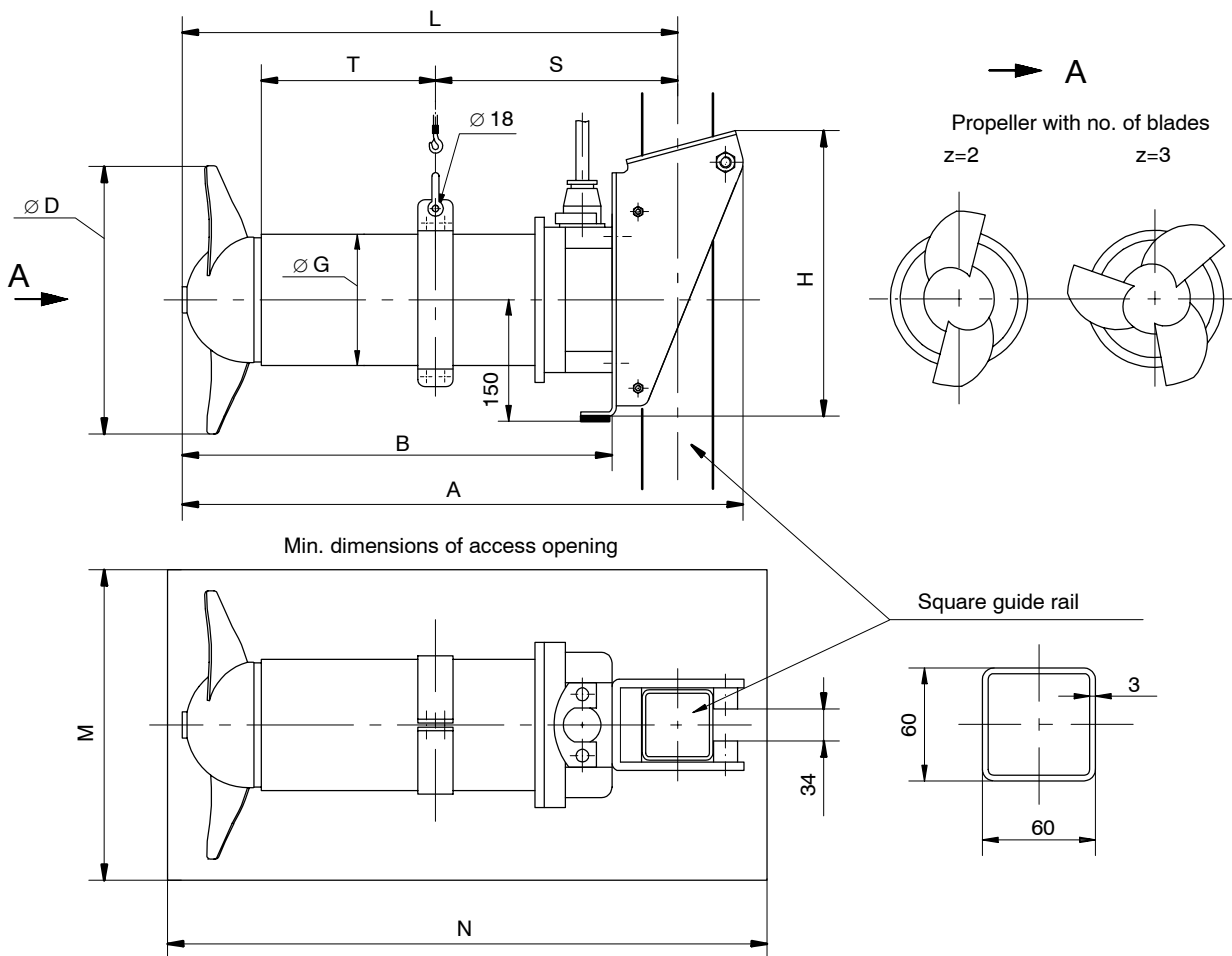
| Size Amamix ... | Dimensions [mm] | | | | | | | | | | |
|----------------------|-----------------|-----|------|-----|-----|-----|---------|---------|-----|-----|-----|
| | A | B | Ø D | Ø G | H | L | M / z=2 | M / z=3 | N | S | T |
| C 2 ... /1 4 UMC/YMC | 590 | 460 | ~225 | 148 | 290 | 520 | 300 | 350 | 800 | 220 | 200 |
| C 2 ... /2 4 UMC/YMC | | | | | | | | | | 225 | 195 |

Amamix 300
400 V, 50 Hz
n~920 min⁻¹
Version without jet ring
Performance data, material variant G

| No. | Size | Motor power P ₂ [kW] | Weight incl. clamp + 10 m power cable [kg] |
|-----|-------------------|---------------------------------------|--|
| 01 | C 322/1 6 UDG/YDG | 1.8 | 44 |
| 02 | C 322/2 6 UDG/YDG | 2.2 | 53.5 |
| 03 | C 324/2 6 UDG/YDG | 3.2 | 53.5 |
| 04 | C 335/2 6 UDG/YDG | 3.2 | 57.5 |

Performance data, material variant C

| No. | Size | Motor power P ₂ [kW] | Weight incl. clamp + 10 m power cable [kg] |
|-----|-------------------|---------------------------------------|--|
| 01 | C 322/1 6 UMC/YMC | 1.8 | 38 |
| 02 | C 322/2 6 UMC/YMC | 2.2 | 47 |
| 03 | C 324/2 6 UMC/YMC | 3.2 | 47 |
| 04 | C 335/2 6 UMC/YMC | 3.2 | 47 |


Dimensions table

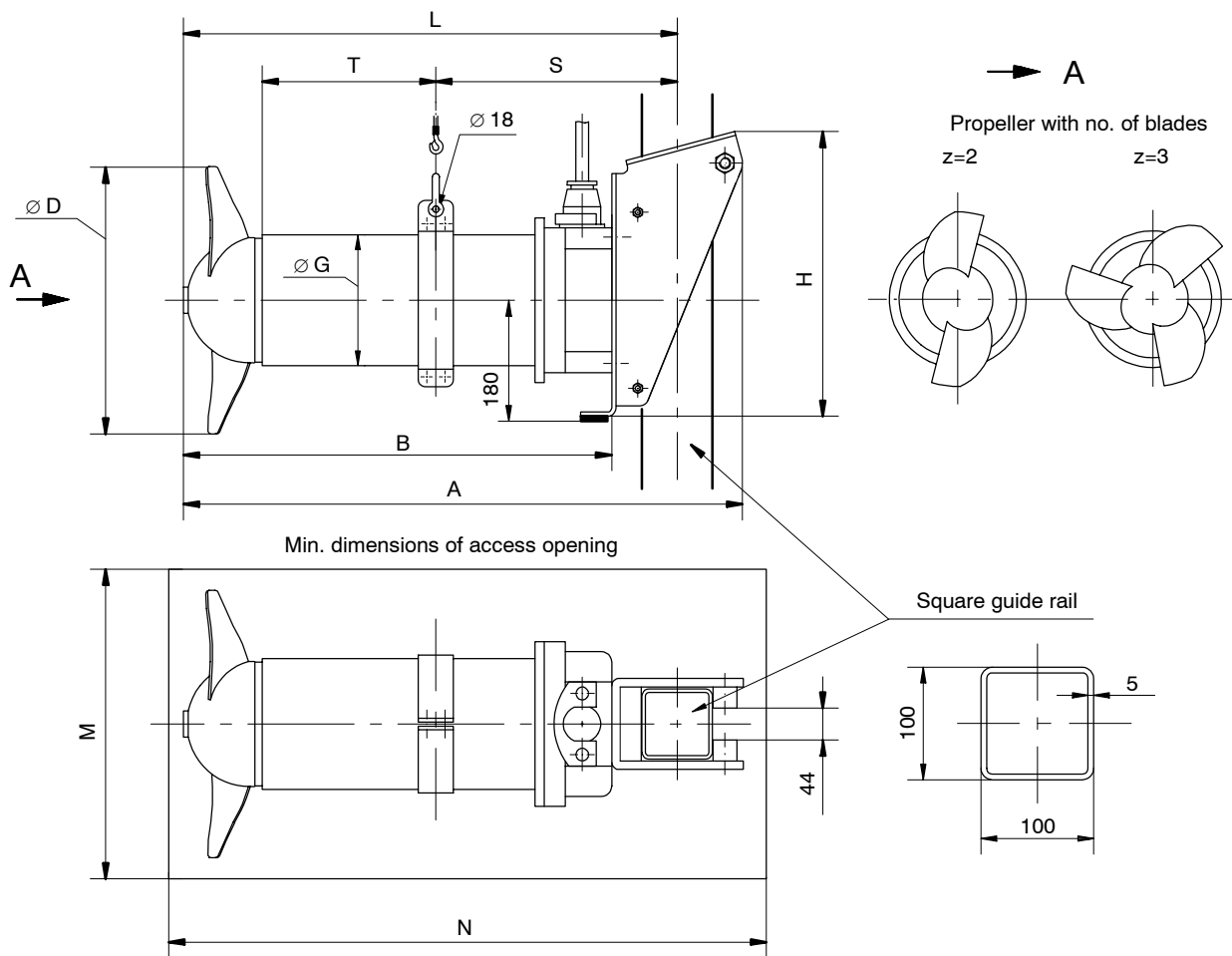
| Size Amamix ... | Dimensions [mm] | | | | | | | | | | |
|-------------------------|-----------------|-----|------|--------------|-----|-----|---------|---------|-----|-----|-----|
| | A | B | ∅ D | ∅ G | H | L | M / z=2 | M / z=3 | N | S | T |
| C 3 ... /1 6 U .. /Y .. | 580 | 450 | ~315 | 148 G | 290 | 510 | 300 | 400 | 800 | 225 | 195 |
| C 3 ... /2 6 U .. /Y .. | 650 | 520 | | 156 C | | 580 | | | 850 | | |

Amamix 400
Version without jet ring
400 V, 50 Hz
n~700 min⁻¹
Performance data, material variant G

| No. | Size | Motor power P ₂ [kW] | Weight incl. clamp + 10 m power cable [kg] |
|-----|-------------------|---------------------------------------|--|
| 01 | C 422/2 8 UDG/YDG | 2.5 | 84 |
| 02 | C 422/4 8 UDG/YDG | 3.0 | 91 |
| 03 | C 424/4 8 UDG/YDG | 4.0 | 91 |
| 04 | C 435/4 8 UDG/YDG | 4.0 | 91 |

Performance data, material variant C

| No. | Size | Motor power P ₂ [kW] | Weight incl. clamp + 10 m power cable [kg] |
|-----|-------------------|---------------------------------------|--|
| 01 | C 422/2 8 UMC/YMC | 2.5 | 76 |
| 02 | C 422/4 8 UMC/YMC | 3.0 | 84 |
| 03 | C 424/4 8 UMC/YMC | 4.0 | 84 |
| 04 | C 435/4 8 UMC/YMC | 4.0 | 84 |


Dimensions table

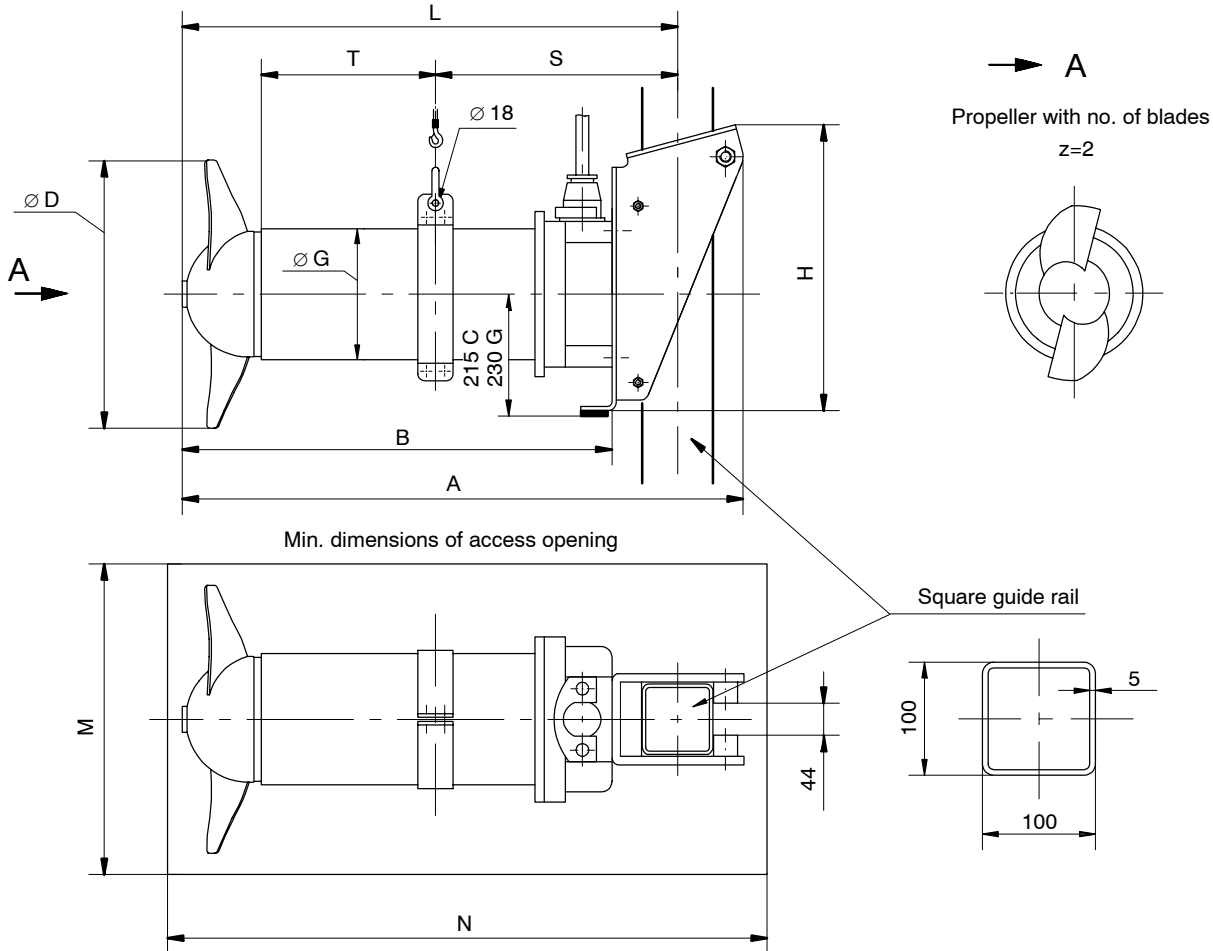
| Size Amamix ... | Dimensions [mm] | | | | | | | | | | |
|-------------------------|-----------------|-----|------|------------------------------|-----|-----|---------|---------|------|-----|-----|
| | A | B | Ø D | Ø G | H | L | M / z=2 | M / z=3 | N | S | T |
| C 4 ... /2 8 U .. /Y .. | 790 | 605 | ~400 | 186 G 192 C | 420 | 695 | 400 | 500 | 1000 | 305 | 285 |
| C 4 ... /4 8 U .. /Y .. | | | | | | | | | | 315 | 275 |

Amamix 500
400 V, 50 Hz
 $n \sim 475 \text{ min}^{-1}$
Version without jet ring
Performance data, material variant G

| No. | Size | Motor power P_2 [kW] | Weight incl. clamp + 10 m power cable [kg] |
|-----|----------------|------------------------------|--|
| | Amamix ... | | |
| 01 | C 522/5 12 UDG | 3.0 | 219 |
| 02 | C 523/6 12 UDG | 5.0 | 219 |

Performance data, material variant C

| No. | Size | Motor power P_2 [kW] | Weight incl. clamp + 10 m power cable [kg] |
|-----|--------------------|------------------------------|--|
| | Amamix ... | | |
| 01 | C 522/3 12 UMC/YMC | 3.0 | 144 |
| 02 | C 523/4 12 UMC/YMC | 5.0 | 144 |


Dimensions table

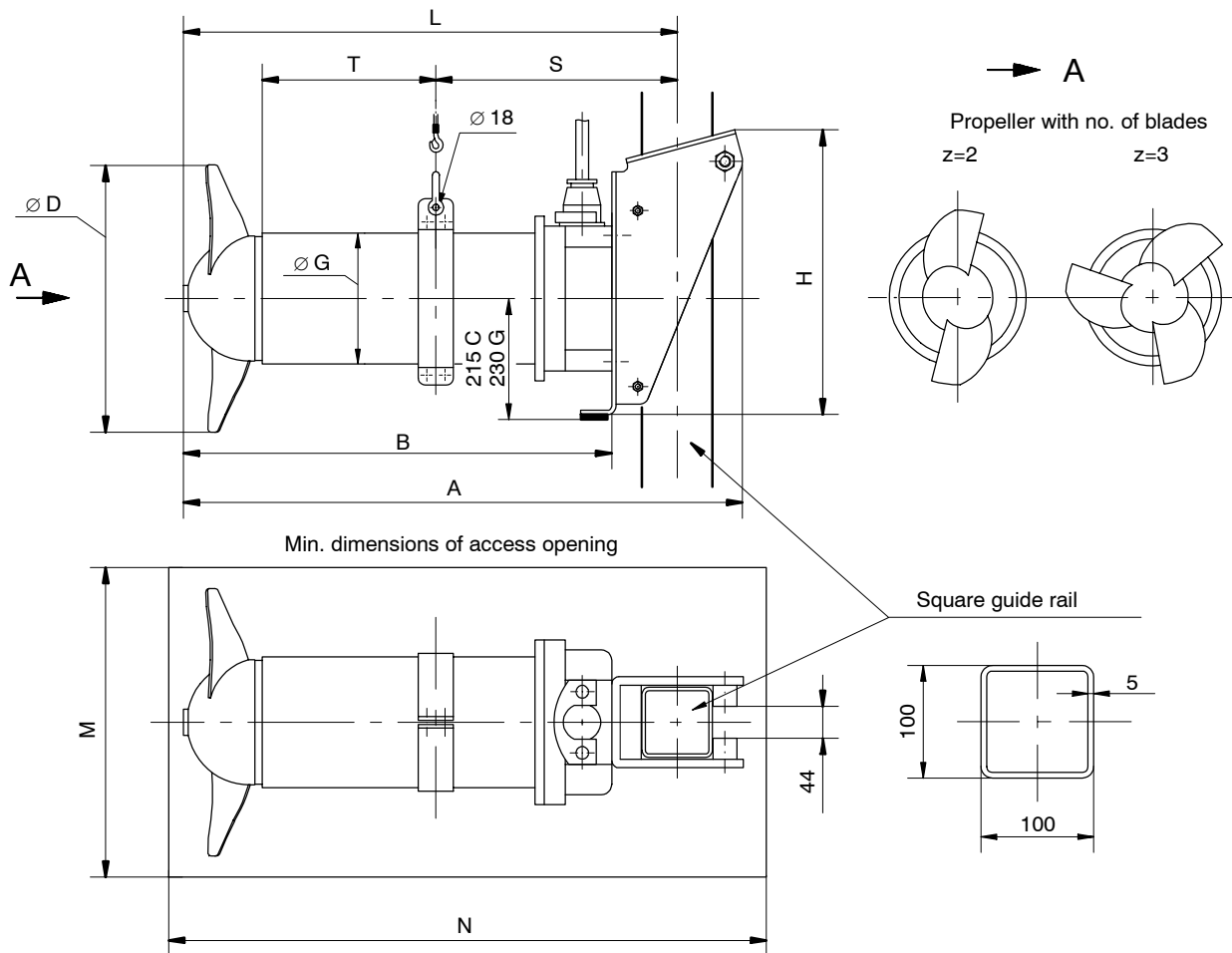
| Size Amamix ... | Dimensions [mm] | | | | | | | | | | |
|-----------------------|-----------------|-----|-----------------|-----------------|-----|-----|---------|---------|------|-----|-----|
| | A | B | $\varnothing D$ | $\varnothing G$ | H | L | M / z=2 | M / z=3 | N | S | T |
| C 5 ... /5 12 UDG | 960 | 755 | ~550 | 294 | 507 | 855 | 450 | 600 | 1100 | 420 | 330 |
| C 5 ... /6 12 UDG | | | | | | | | | | | |
| C 5 ... /3 12 UMC/YMC | 860 | 675 | ~550 | 251 | 420 | 765 | 450 | 600 | 1100 | 360 | 270 |
| C 5 ... /4 12 UMC/YMC | | | | | | | | | | | |

Amamix 600
400 V, 50 Hz
n~475 min⁻¹
Version without jet ring
Performance data, material variant G

| No. | Size | Motor power P ₂ [kW] | Weight incl. clamp + 10 m power cable [kg] |
|-----|-----------------|---------------------------------------|--|
| 01 | C 622/6 12 UDG | 5.0 | 221 |
| 02 | C 622/9 12 UDG | 7.5 | 235 |
| 03 | C 624/10 12 UDG | 10.0 | 235 |
| 04 | C 635/81012 UDG | 10.0 | 237 |

Performance data, material variant C

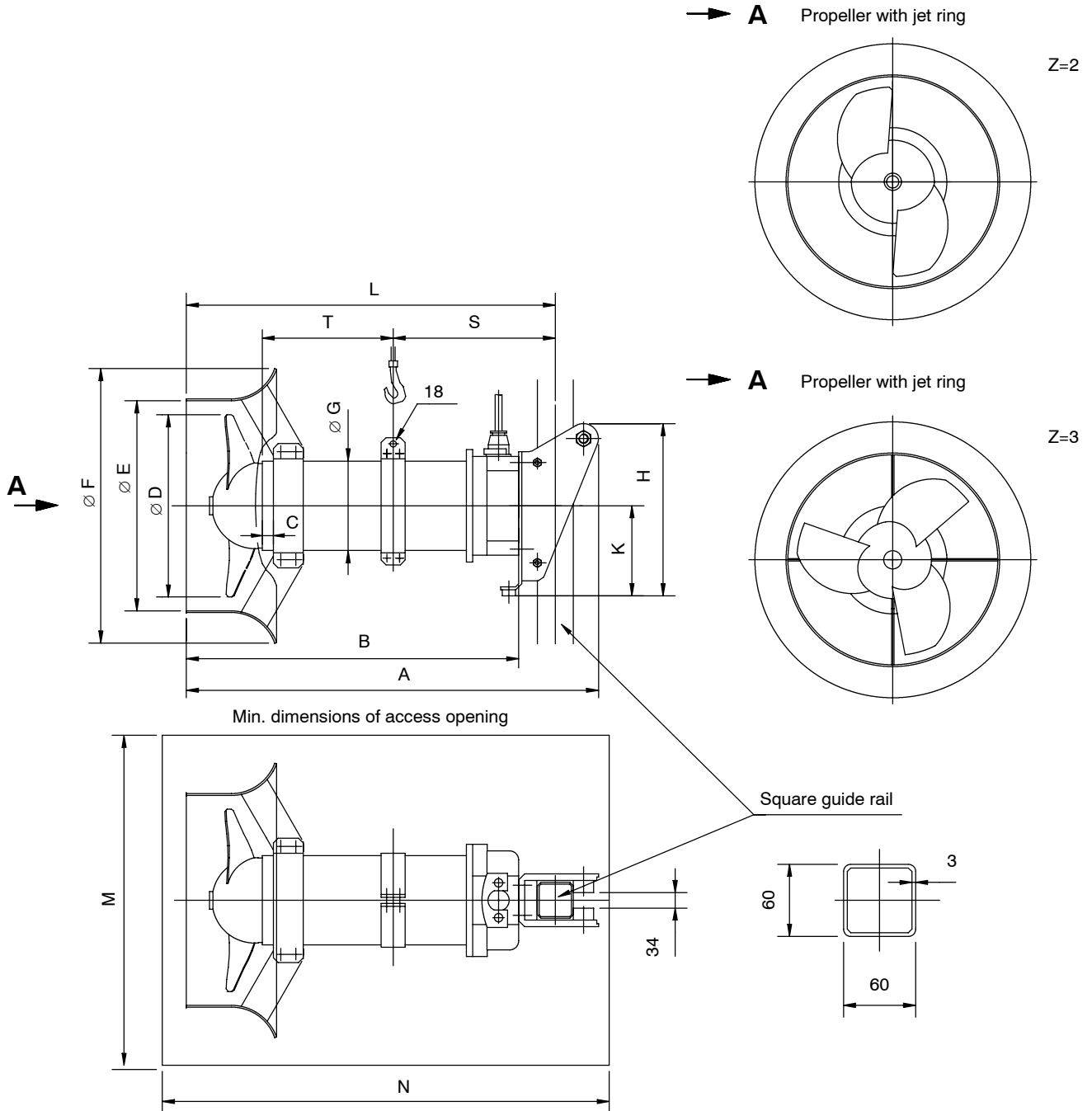
| No. | Size | Motor power P ₂ [kW] | Weight incl. clamp + 10 m power cable [kg] |
|-----|--------------------|---------------------------------------|--|
| 01 | C 622/4 12 UMC/YMC | 5,0 | 146 |
| 02 | C 622/7 12 UMC/YMC | 7.5 | 198 |
| 03 | C 624/8 12 UMC/YMC | 10.0 | 198 |
| 04 | C 635/8 12 UMC/YMC | 10.0 | 198 |


Dimensions table

| Size Amamix ... | Dimensions [mm] | | | | | | | | | | |
|-----------------------|-----------------|-----|------|-----|-----|-----|---------|---------|------|-----|-----|
| | A | B | Ø D | Ø G | H | L | M / z=2 | M / z=3 | N | S | T |
| C 6 ... /6 12 UDG | 960 | 755 | ~630 | 294 | 507 | 855 | 500 | 700 | 1100 | 420 | 330 |
| C 6 ... /9 12 UDG | | | | | | | | | | | |
| C 6 ... /10 12 UDG | | | | | | | | | | | |
| C 6 ... /4 12 UMC/YMC | 860 | 675 | ~630 | 251 | 420 | 765 | 500 | 700 | 1100 | 360 | 270 |
| C 6 ... /7 12 UMC/YMC | | | | | | | | | | | |
| C 6 ... /8 12 UMC/YMC | | | | | | | | | | | |

Amamix 300
Version with jet ring
Material variant C

400 V, 50 Hz **n~920 min⁻¹**



0W 384 961-30

Dimensions table

| Size | Dimensions [mm] | | | | | | | | | | | | | |
|----------------------|-----------------|-----|----|------|-----|-----|-----|-----|-----|-----|-----|-----|---|---|
| | A | B | C | ∅ D | ∅ E | ∅ F | ∅ G | H | K | L | M | N | S | T |
| C 3 ... /1 6 UMC/YMC | 620 | 490 | 20 | ~315 | 350 | 460 | 148 | 290 | 150 | 550 | 550 | 830 | | |
| C 3 ... /2 6 UMC/YMC | 690 | 560 | | | | | | | | 620 | 550 | | | |

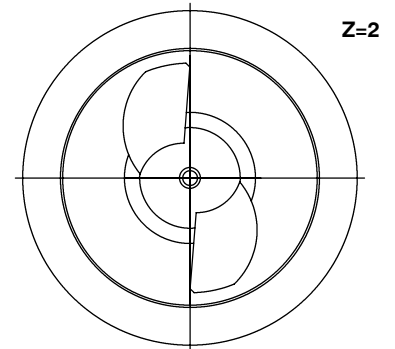
Extra weight for jet ring (see table page 14) approx. 6 kg

Amamix 400
Version with jet ring
Material variant C

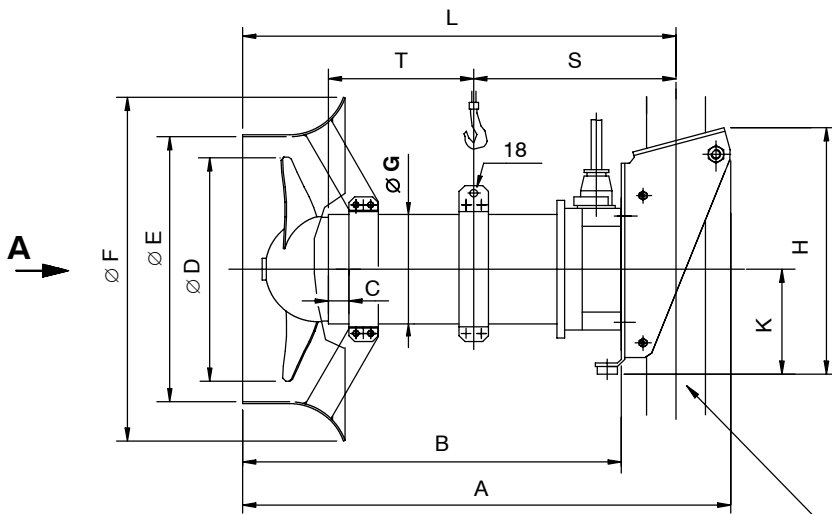
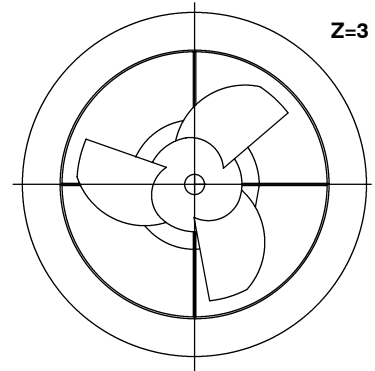
400 V, 50 Hz

$n \sim 700 \text{ min}^{-1}$

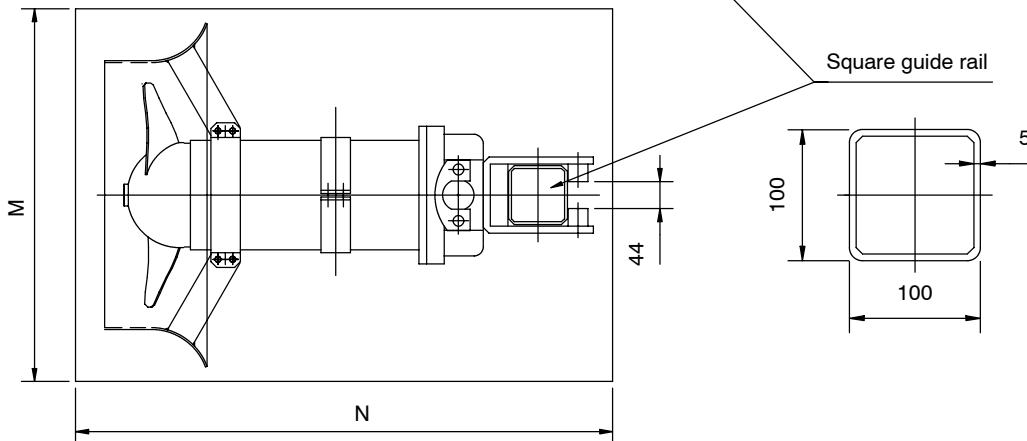
→ **A** Propeller with jet ring



→ **A** Propeller with jet ring



Min. dimensions of access opening



OW 384 961-40

Dimensions table

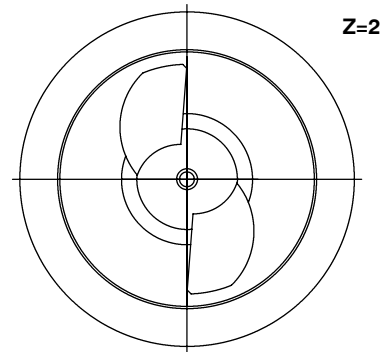
| Size Amamix ... | Dimensions [mm] | | | | | | | | | | | | | |
|----------------------|-----------------|-----|----|------|-----|-----|-----|-----|-----|-----|-----|------|---|---|
| | A | B | C | ∅D | ∅E | ∅F | ∅G | H | K | L | M | N | S | T |
| C 4 ... /2 8 UMC/YMC | 830 | 645 | 35 | ~400 | 450 | 585 | 186 | 420 | 180 | 735 | 700 | 1050 | | |
| C 4 ... /4 8 UMC/YMC | | | | | | | | | | | | | | |

Extra weight for jet ring (see table page 15) approx. 8.7 kg

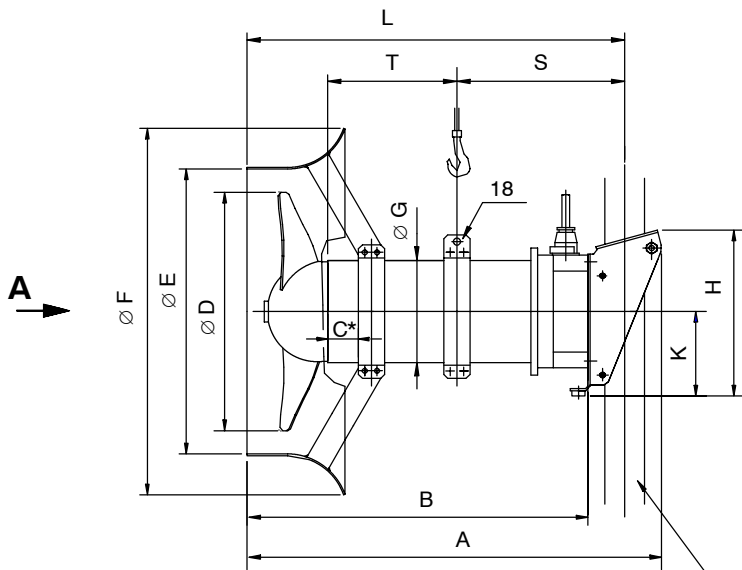
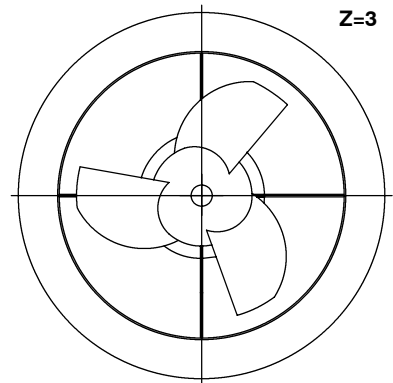
Amamix 500
Version with jet ring
Material variant C

400 V, 50 Hz **n~475 min⁻¹**

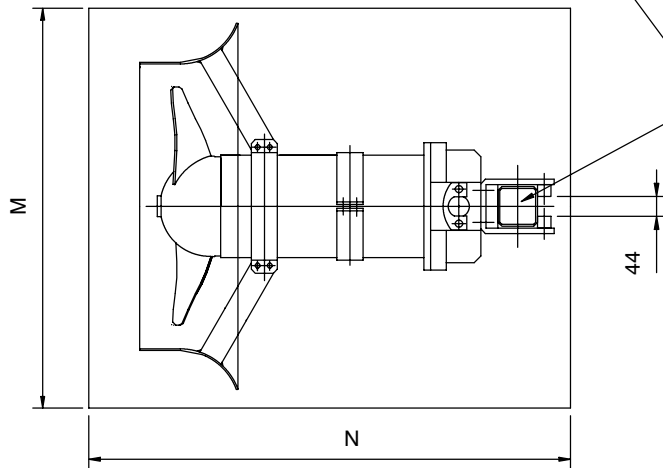
➔ **A** Propeller with jet ring



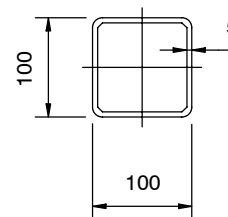
➔ **A** Propeller with jet ring



Min. dimensions of access opening



Square guide rail



0W 384 961-50

Dimensions table

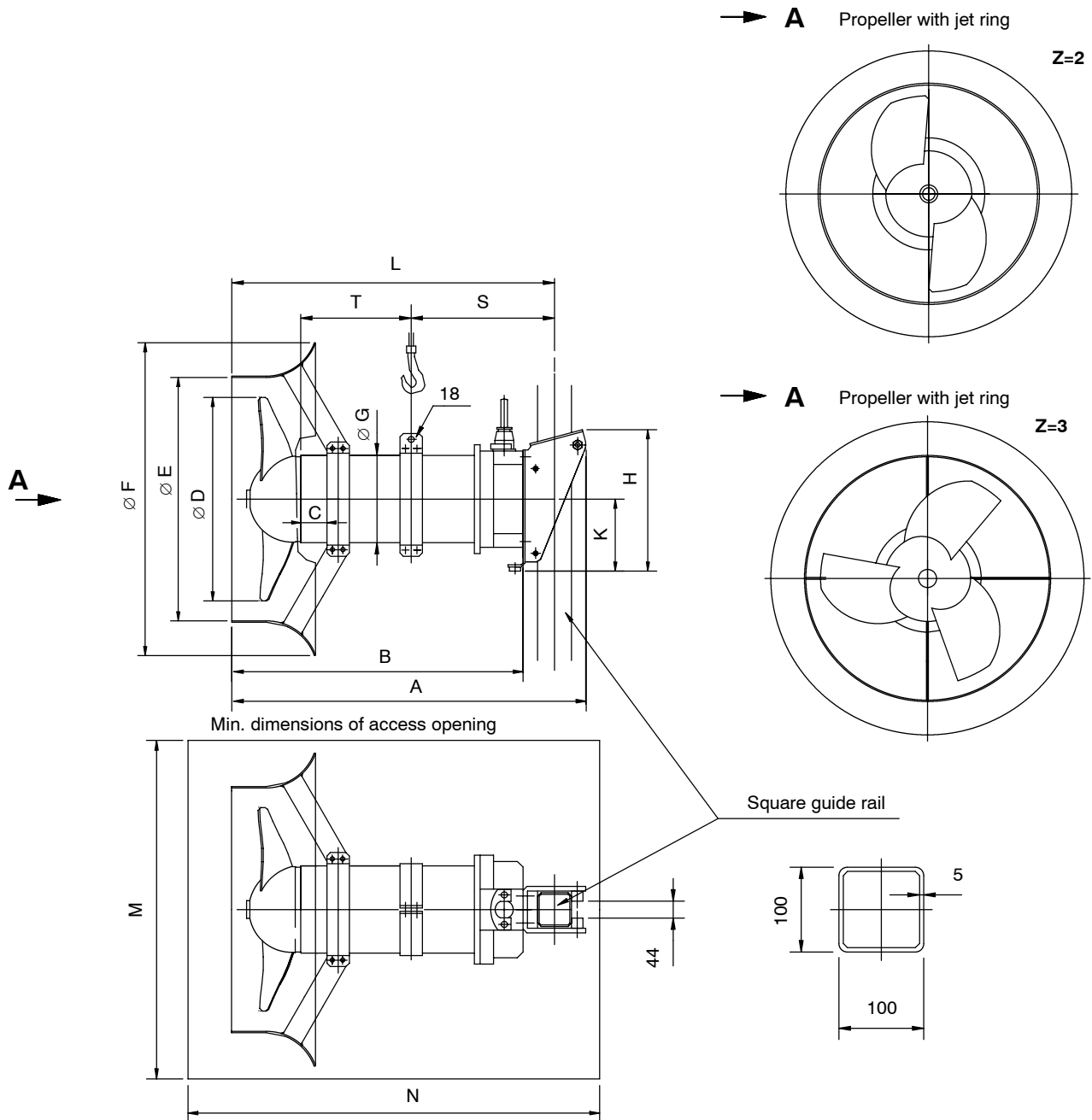
| Size Amamix ... | Dimensions [mm] | | | | | | | | | | | | | |
|-----------------------|-----------------|-----|----|------|-----|-----|-----|-----|-----|-----|-----|------|---|---|
| | A | B | C | ∅ D | ∅ E | ∅ F | ∅ G | H | K | L | M | N | S | T |
| C 5 ... /3 12 UMCYMC | 930 | 745 | 35 | ~550 | 600 | 775 | 251 | 420 | 215 | 835 | 900 | 1175 | | |
| C 5 ... /4 12 UMC/YMC | | | | | | | | | | | | | | |

Extra weight for jet ring (see table page 16) approx. 18 kg

Amamix 600
Version with jet ring
Material variant C

400 V, 50 Hz

n~475 min⁻¹



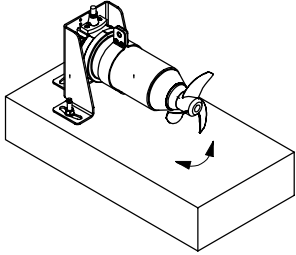
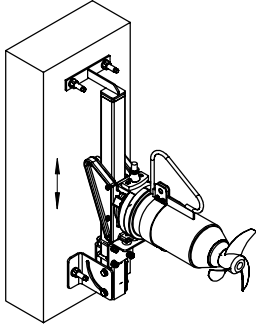
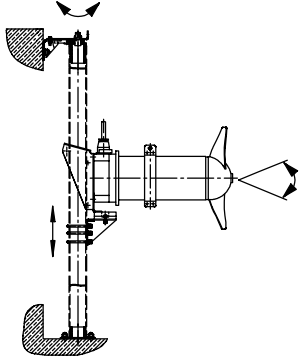
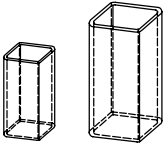
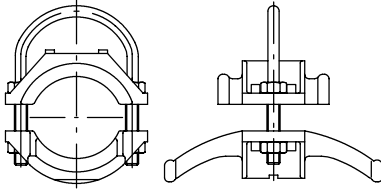
OW 384 961-60

Dimensions table

| Size Amamix ... | Dimensions [mm] | | | | | | | | | | | | | |
|--------------------------|-----------------|-----|----|------|-----|-----|-----|-----|-----|-----|------|------|---|---|
| | A | B | C | ∅D | ∅E | ∅F | ∅G | H | K | L | M | N | S | T |
| C 6 ... /4 12 UMC/YM ... | 930 | 745 | 75 | ~630 | 700 | 900 | 251 | 420 | 215 | 835 | 1050 | 1175 | | |
| C 6 ... /7 12 UMC/YMC | 1050 | 865 | | | | | | | | 955 | | 1300 | | |
| C 6 ... /8 12 UMC/YMC | | | | | | | | | | | | | | |

Extra weight for jet ring (see table page 17) approx. 24 kg

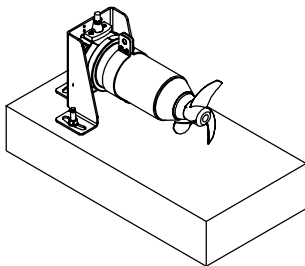
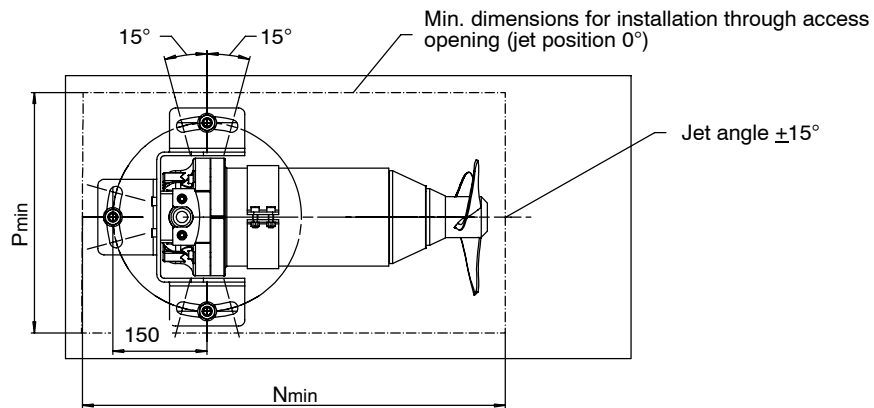
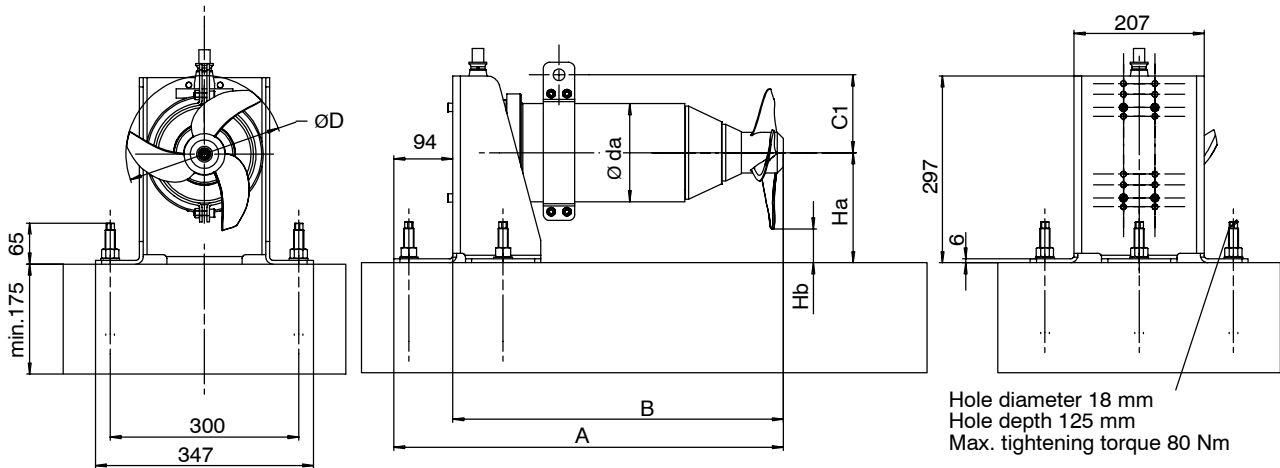
Overview of standard accessories

| Accessories | Type series | | | | Installation example |
|--|---|-----|-----|---------|--|
| | 215 | 300 | 400 | 500/600 | |
| Standard accessories 6 Page 24-25 Floor mounting | x | x | - | - |  <ul style="list-style-type: none"> - swivelling option in horizontal position - fixed vertical installation height |
| Standard accessories 7 Page 26-29 Sump installation | x | x | - | - |  <ul style="list-style-type: none"> - vertically adjustable - with optional pitch adapter for upward and downward jet positioning - cannot be swivelled horizontally around the guide rail axis |
| Standard accessories 21 Page 30-31 Accessories 21 - Options Page 32-39 Universal accessories | x | x | x | x |  <ul style="list-style-type: none"> - vertically adjustable - with optional pitch adapter for upward and downward jet positioning - horizontal swivelling option (together with guide rail) |
| Standard accessories 4 Page 40-41 | x | x | x | x | |
| Guide rails for accessories 7 and 21 Page 43 | x | x | x | x |  |
| Other accessories Page 42 | x | x | x | x |  |
| Cranes | See Type series booklet "KSB Lifting Equipment" 1596.5-10 ! | | | | |

Standard accessories 6

For permanent mounting of the mixer on the tank floor

Amamix 215, 300 (Size 400/500/600 on request)



Ha adjustable to 161 mm / 175 mm / 196 mm / 213 mm, depending on propeller diameter

Installation example:
Floor mounting

UG 1035 496

Dimensions table

| Size | Dimensions [mm] | | | | | | | | | Weight of unit | |
|-----------------|-----------------|-----|-----|-------|------|-----|------|------------------|--------------------------------|--------------------|-----------------|
| | A | B | C1 | Ø D | Ø da | Ha | Hb | P _{min} | N _{min} ¹⁾ | without stand [kg] | with stand [kg] |
| V 222 / 14 ..DG | 560 | 466 | 124 | ~ 225 | 156 | 161 | 48,5 | 610 | 400 | 28 | 34 |
| V 222 / 24 ..DG | | | | | | | | | | 30.5 | 36.5 |
| V 233 / 24 ..DG | | | | | | | | | | | |
| V 235 / 24 ..MG | | | | | | | | | | | |
| C 222 / 14 ..DC | 560 | 466 | 120 | ~ 225 | 148 | 161 | 48,5 | 610 | 400 | 30.5 | 36.5 |
| C 222 / 24 ..MC | | | | | | | | | | 33 | 39 |
| C 233 / 24 ..MC | | | | | | | | | | | |
| C 235 / 24 ..MC | | | | | | | | | | | |
| C 322 / 16 ..MG | 538 | 444 | 124 | ~ 315 | 156 | 213 | 55,5 | 600 | 400 | 38 | 34 |
| C 322 / 26 ..DG | | | | | | | | | | 48 | 54 |
| C 324 / 26 ..DG | | | | | | | | | | | |
| C 335 / 26 ..DG | | | | | | | | | | | |
| C 322 / 16 ..MC | 538 | 444 | 120 | ~ 315 | 148 | 213 | 55,5 | 600 | 400 | 34 | 40 |
| C 322 / 26 ..MC | | | | | | | | | | 43 | 49 |
| C 324 / 26 ..MC | | | | | | | | | | | |
| C 335 / 26 ..MC | | | | | | | | | | | |

Extra weight for stand: 6 kg (if supplied pre-assembled)

Standard accessories 6

For permanent mounting of the mixer on the tank floor

Amamix 215, 300

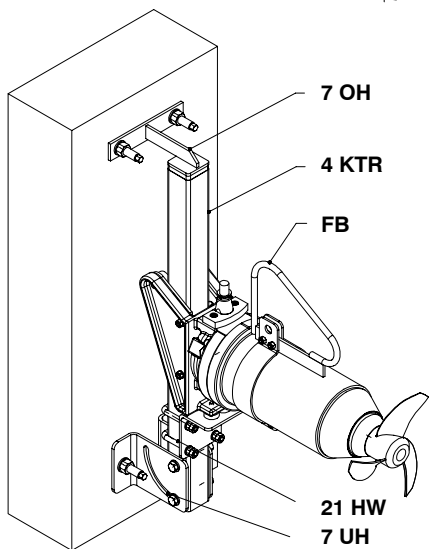
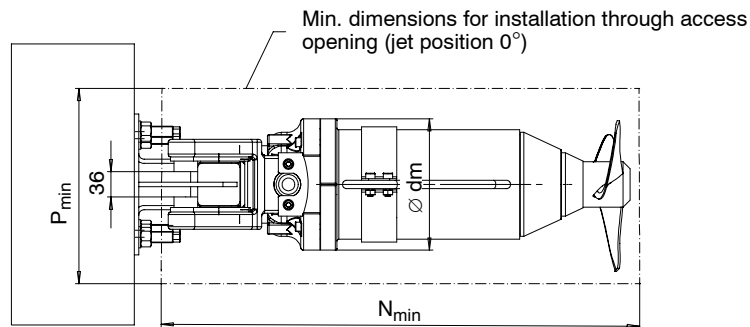
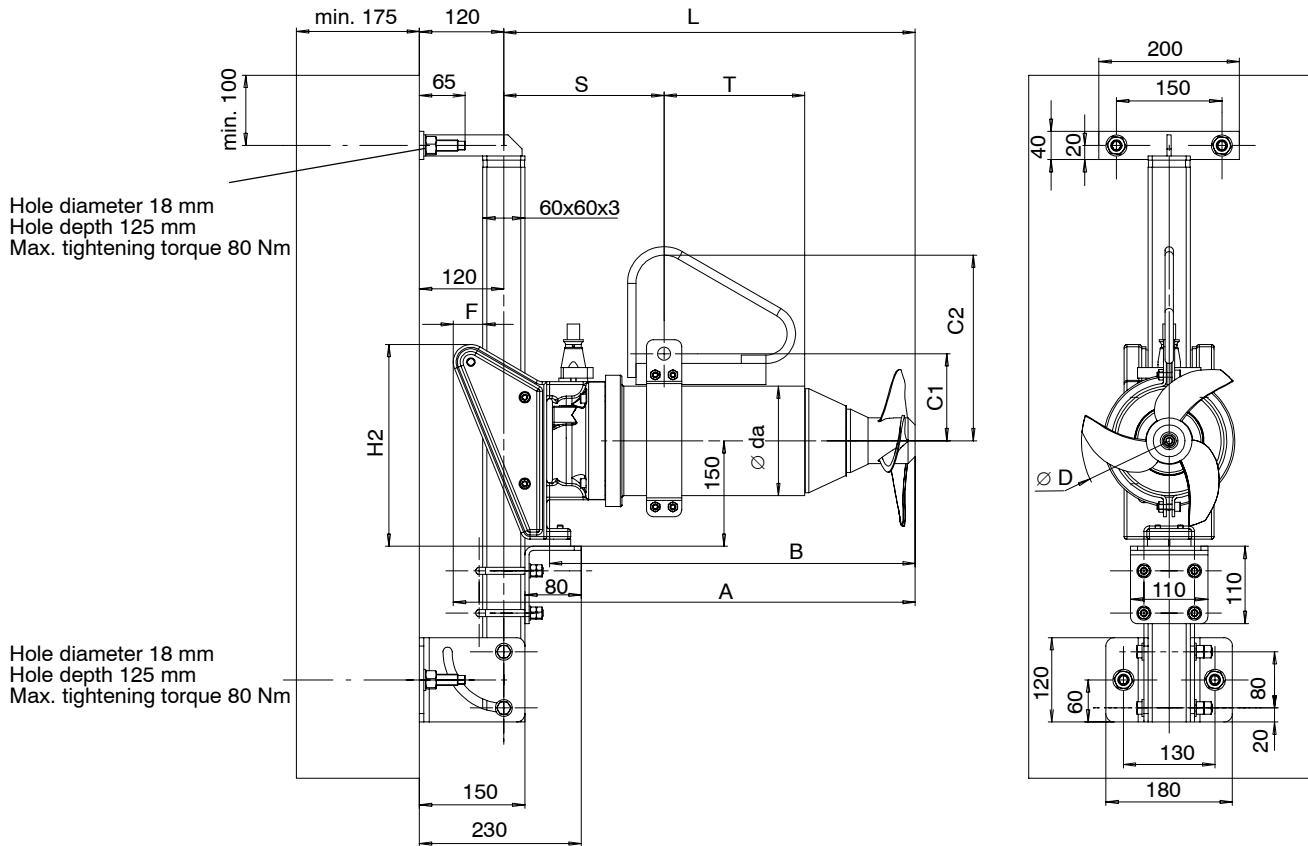
| Item No. | Accessories | Description |
|----------|------------------------------|--|
| 6 | Stand | for permanent mounting of the mixer (sizes 215, 300) on the tank floor; application in tanks where regular drainage provides access to the unit (e.g. for maintenance and inspection purposes), e.g. stormwater balancing systems. |
| | Incl. composite anchor bolts | Composite anchor bolts for fastening the stand on the tank floor (concrete grade at least B25) |

| Item No. | Description | For size | Material | Material No. | Weight [kg] |
|----------|--|----------------|----------|--------------|-------------|
| 6 | Stand incl. 3 nos. composite anchor bolts | Amamix 215/300 | 1.4301 | 01 109 062 | 8.0 |
| | | | 1.4571 | 19 556 921 | 8.0 |

Standard accessories 7

For mounting on the sump wall or benching, vertically adjustable

Amamix 215, 300



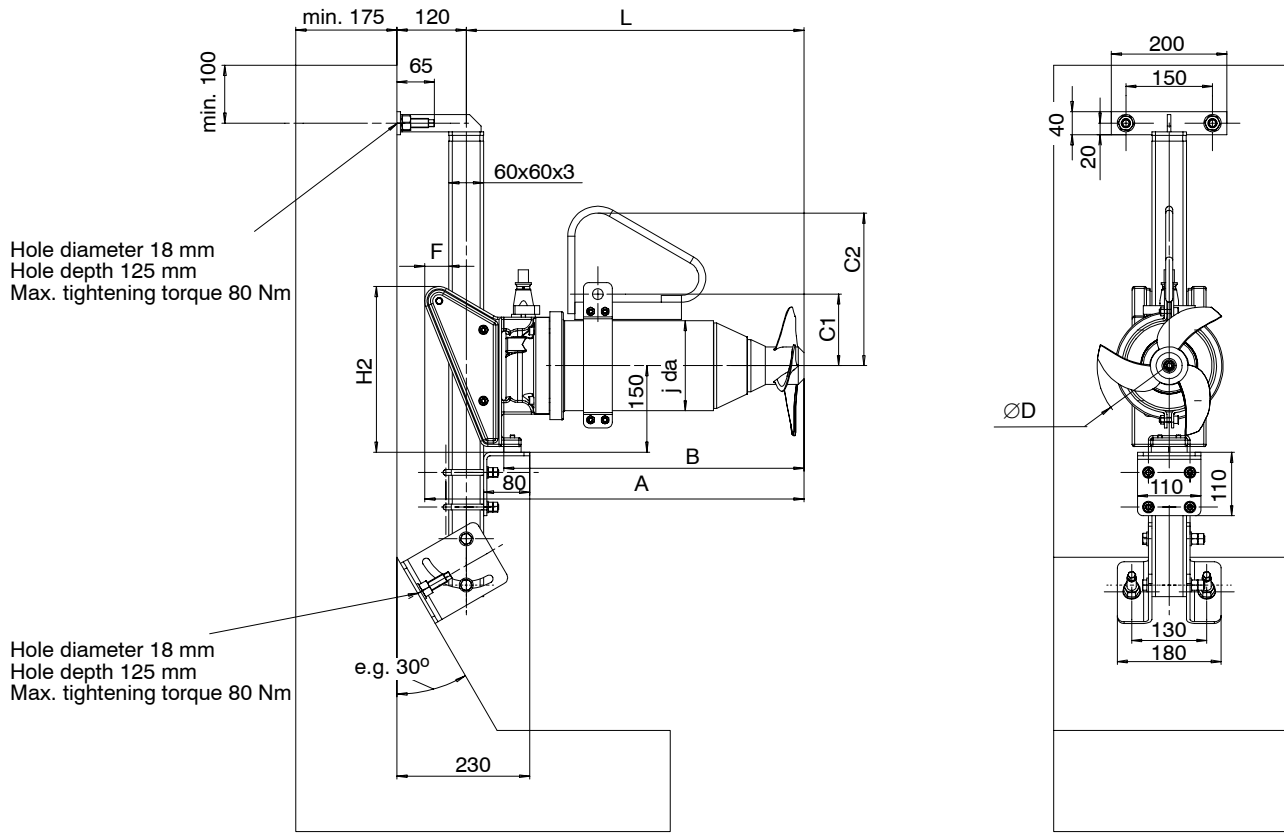
Other dimensions are given on page 28

Installation example:
Wall-mounted
(optional lifting clamp)

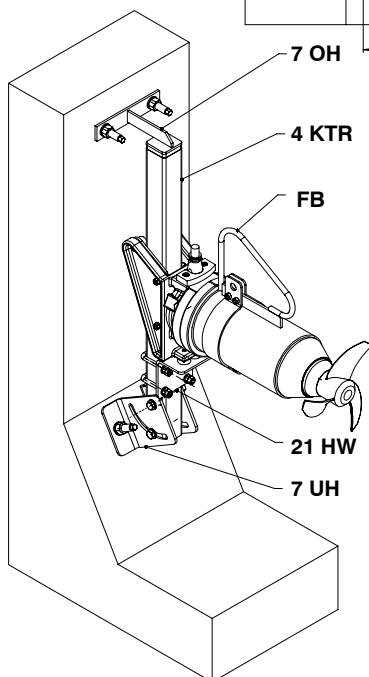
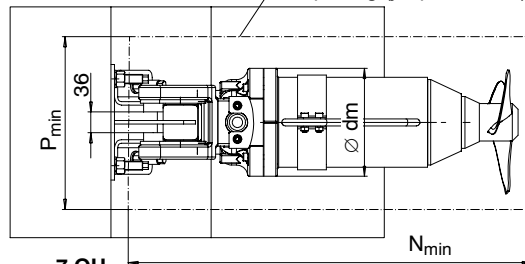
Standard accessories 7

For mounting on the sump wall or benching, vertically adjustable

Amamix 215, 300



Min. dimensions for installation through access opening (jet position 0°)



Other dimensions are given on page 28

Installation example:
on benching
(optional lifting clamp)

Standard accessories 7

For mounting on the sump wall or benching, vertically adjustable

Amamix 215, 300

Dimensions table

| Size Amamix ... | Dimensions [mm] | | | | | | | | | | | | | | Weight of pump unit ¹⁾ [kg] | | | | |
|--------------------|-----------------|-----|-----|-----|-------|------|------|----|-----|-----|-----|-----|------------------|------------------|---|-----|-----|-----|-----|
| | A | B | C1 | C2 | ∅ D | ∅ da | ∅ dm | F | H2 | L | S | T | P _{min} | N _{min} | | | | | |
| V 222 / 14 ..MG | 597 | 460 | 124 | 164 | ~ 225 | 156 | 187 | 42 | 287 | 525 | 210 | 240 | 650 | 300 | 35 | | | | |
| V 222 / 24 ..MG | | | | | | | | | | | 215 | 235 | | | | | | | |
| V 233 / 24 ..MG | | | | | | | | | | | | | | | | | | | |
| V 235 / 24 ..MG | | | | | | | | | | | | | | | | | | | |
| C 222 / 14 ..MC | 590 | 460 | 120 | 260 | ~ 225 | 148 | 187 | 34 | 290 | 539 | 220 | 220 | 640 | 300 | 34 | | | | |
| C 222 / 24 ..MC | | | | | | | | | | | 225 | 195 | | | | | | | |
| C 233 / 24 ..MC | | | | | | | | | | | | | | | | | | | |
| C 235 / 24 ..MC | | | | | | | | | | | | | | | | | | | |
| C 322 / 16 ..MG | 597 | 450 | 124 | 264 | ~ 315 | 156 | 187 | 42 | 287 | 515 | 225 | 195 | 640 | 300 | 45 | | | | |
| C 322 / 26 ..MG | | | | | | | | | | | 657 | 520 | | | | 585 | 260 | 230 | 710 |
| C 324 / 26 ..MG | | | | | | | | | | | | | | | | | | | |
| C 335 / 26 ..MG | | | | | | | | | | | | | | | | | | | |
| C 322 / 16 ..MC | 580 | 450 | 120 | 260 | ~ 315 | 148 | 187 | 34 | 290 | 529 | 225 | 195 | 630 | 300 | 37.5 | | | | |
| C 322 / 26 ..MC | | | | | | | | | | | 650 | 520 | | | | 599 | 260 | 230 | 700 |
| C 324 / 26 ..MC | | | | | | | | | | | | | | | | | | | |
| C 335 / 26 ..MC | | | | | | | | | | | | | | | | | | | |

¹⁾ Weight of unit with 10-metre power cable and assembled clamp

| Item No. | Accessories | Description |
|--------------|-------------------------------------|--|
| 21 HT | Clamp | Clamp for mounting the unit on the square guide rail in horizontal position, Cross-section: 60x60x3 |
| 21 HW | Holding bracket | vertical continuous adjustment to the operating position of the mixer; Unit rests on the bracket via the clamp. |
| 4 KTR | Square guide rail | Square guide rail (see page 43!) Cross-section: 60x60x3 Supplied in lengths of 1.5 m / 3 m / 6 m |
| 7 UH | Lower guide rail holder | Lower holder for mounting the guide rail on the sump wall or benching; infinitely adjustable through 90° |
| | incl. 2 nos. composite anchor bolts | Composite anchor bolts for fitting the lower holder on the sump wall or benching Concrete grade at least B25. |
| 7 OH | Upper guide rail holder | Upper holder for mounting the guide rail on the sump wall; flexible support of 60x60x3 guide rail |
| | incl. 2 nos. composite anchor bolts | Composite anchor bolts for mounting the upper holder on the sump wall Concrete grade at least B25. |

Standard accessories 7

For mounting on the sump wall or benching, vertically adjustable

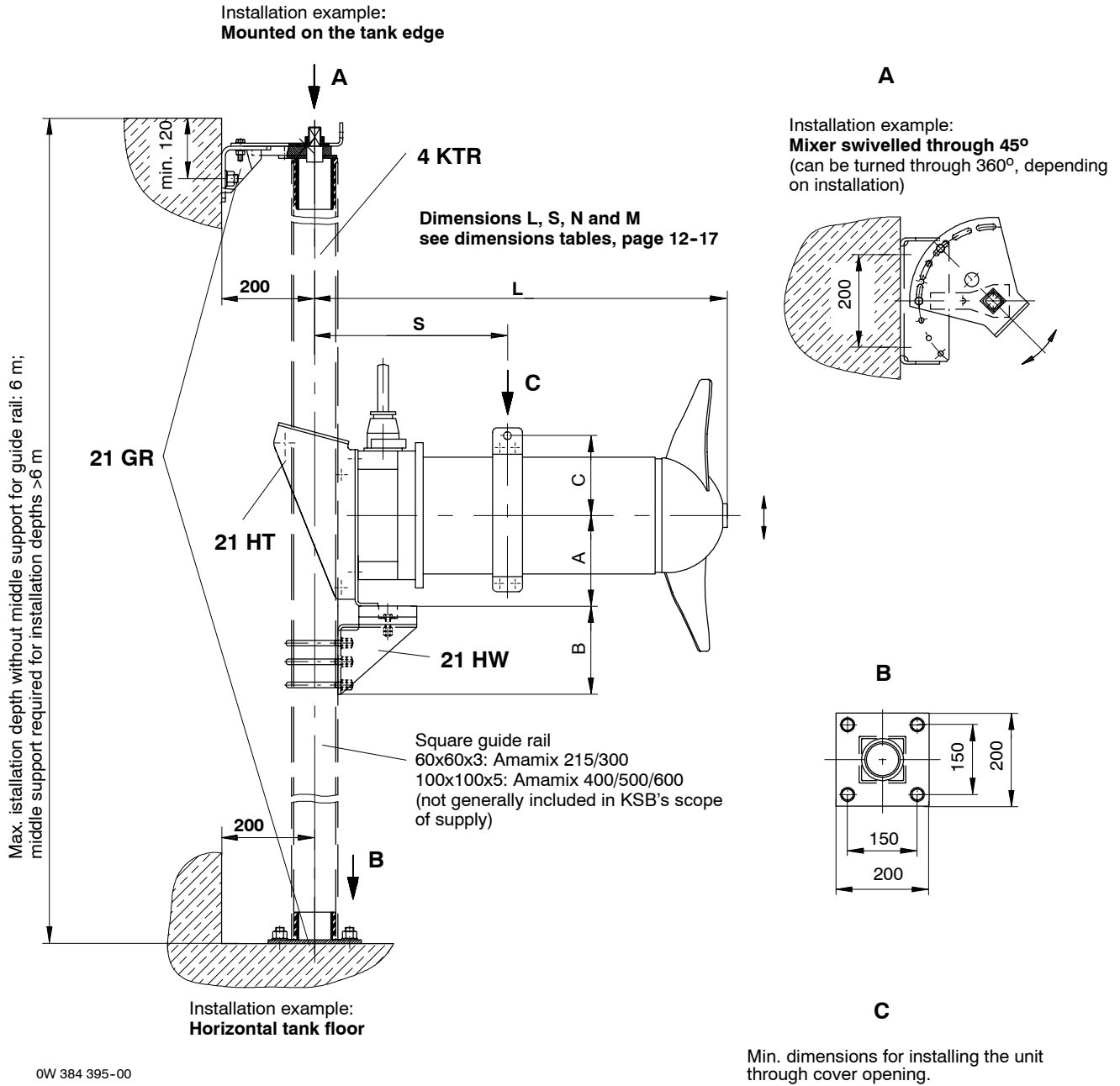
Amamix 215, 300

| Item No. | Description | for size | Material | Material No. | Weight [kg] |
|--|---------------------------------------|------------------|----------|--------------------------|-------------|
| 21 HT | Clamp for square guide rail 60x60x3 | Amamix 215/300 G | JL 1040 | 19 203 139 | 6.9 |
| | | Amamix 215/300 C | 1.4571 | 19 202 241 ²⁾ | 3.4 |
| 21 HW | Bracket for square guide rail 60x60x3 | Amamix 215/300 | 1.4301 | 01 109 104 | 1.5 |
| | | | 1.4571 | 19 202 369 | 1.5 |
| 4 KTR | Square guide rail 60x60x3 | Amamix 215/300 | 1.4301 | -- | 5.2 kg/m |
| | | | 1.4571 | | |
| See accessories Amamix - 4 KTR - page 43! | | | | | |

²⁾ optional for Amamix 215/300 G

Standard accessories 21

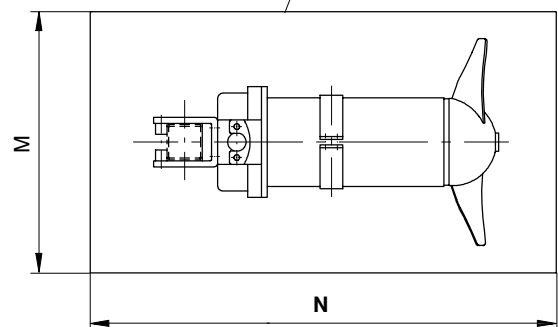
For mounting on the top of the tank or tank wall, with horizontal swivelling option, vertically adjustable
Amamix 215, 300, 400, 500, 600



0W 384 395-00

Dimensions table

| Size Amamix ... | Dimensions [mm] | | |
|--------------------|-----------------|-----|-----|
| | A | B | C |
| 215 G, 300 G | 150 | 110 | 124 |
| 215 C, 300 C | | | 120 |
| 400 G | 180 | 150 | 142 |
| 400 C | | | 140 |
| 500/600 G | 230 | | 197 |
| 500/600 C | 215 | | 177 |



Standard accessories 21

**For mounting on the top of the tank or tank wall, with horizontal swivelling option, vertically adjustable
Amamix 215, 300, 400, 500, 600**

| Item No. | Accessories | Description |
|--------------|--|---|
| 21 HT | Clamp | Clamp for mounting the unit on the square guide rail in horizontal position Cross-section: 60x60x3 for Amamix 215/300 and 100x100x5 for Amamix 400/500/600 |
| 21 HW | Holding bracket | vertical continuous adjustment to the operating position of the mixer; unit rests on the bracket via the clamp. |
| 4 KTR | Square guide rail | Square guide rail Cross-section: 60x60x3 for Amamix 215/300 and 100x100x5 for Amamix 400/500/600; Installation depths up to 6 m without middle support; middle support required for installation depths >6 m See page 43! |
| 21 GR | Upper and lower holders for guide rail | Upper holder for mounting on the tank wall; lower holder for horizontal tank floor without benching |
| | Incl. 6 nos. composite anchor bolts | Composite anchor bolts for mounting the upper holder on the tank wall and the lower holder on the tank floor. Concrete grade at least B25. |

| Item No. | Description | for size | Material | Material No. | Weight [kg] |
|--|---|----------------------|-------------------|--------------------------|-------------|
| 21 HT | Clamp for square guide rail 60x60x3 | Amamix 215/300 G | JL 1040 | 19 203 139 | 6.9 |
| | | Amamix 215/300 C | 1.4571 | 19 202 241 ¹⁾ | 3.4 |
| | Clamp for square guide rail 100x100x5 | Amamix 400 G | JL 1040 | 19 556 701 | 16 |
| | | Amamix 500/600 G | JL 1040 | 19 556 700 | 25 |
| | | Amamix 400/500/600 C | 1.4571 | 19 202 242 ²⁾ | 8.5 |
| 21 HW | Clamp for square guide rail 60x60x3 | Amamix 215/300 | 1.4571 | 19 202 369 | 1.5 |
| | Clamp for square guide rail 100x100x5 | Amamix 400/500/600 | 1.4571 | 19 202 370 | 3.5 |
| 4 KTR | Square guide rail 60x60x3 | Amamix 215/300 | 1.4301/ 1.4571 | -- | 5.2 kg/m |
| | Square guide rail 100x100x5 | Amamix 400/500/600 | 1.4301/ 1.4571 | -- | 14.4 kg/m |
| Please note accessories Amamix - 4 KTR - page 43! | | | | | |
| 21 GR | Top wall and floor holders, vertical wall, for square guide rail 60x60x3 incl. 6 nos. of composite anchor bolts | Amamix 215/300 | 1.4571 | 19 553 874 | 9.0 |
| | | Amamix 400/500 | 1.4571 | 19 553 875 | 12.5 |
| | Top wall and floor holders, vertical wall, for square guide rail 100x100x5 incl. 6 nos. of composite anchor bolts | Amamix 600 | 1.4571 | 01 110 318 | 17 |

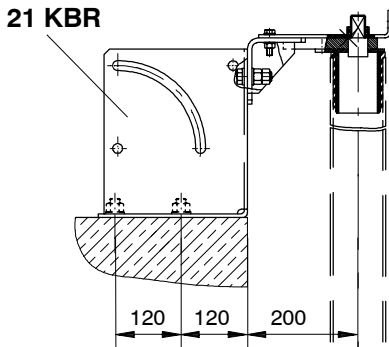
¹⁾ optional for Amamix 215/300 G

²⁾ optional for Amamix 400 G

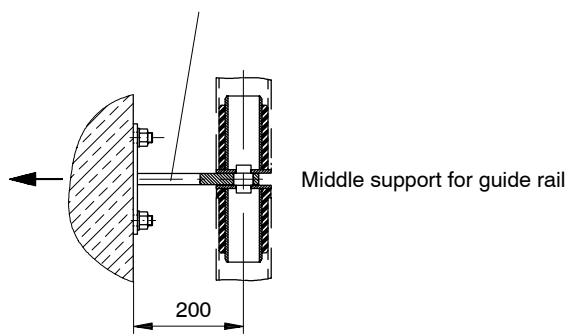
Accessories 21 - Options

For mounting on the top of the tank or tank wall, with horizontal swivelling option, vertically adjustable
Amamix 215, 300, 400, 500, 600

Installation example:
**Upper holder mounted on bracket
(top of tank)**

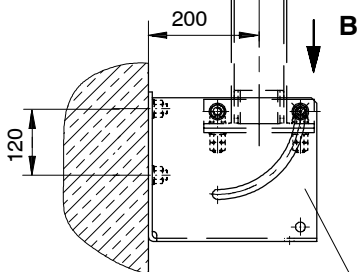


21 MIAS

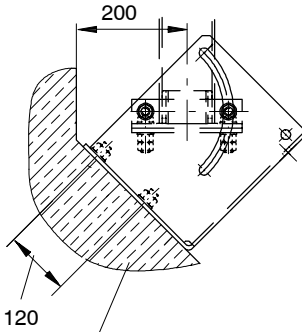


Middle support for guide rail

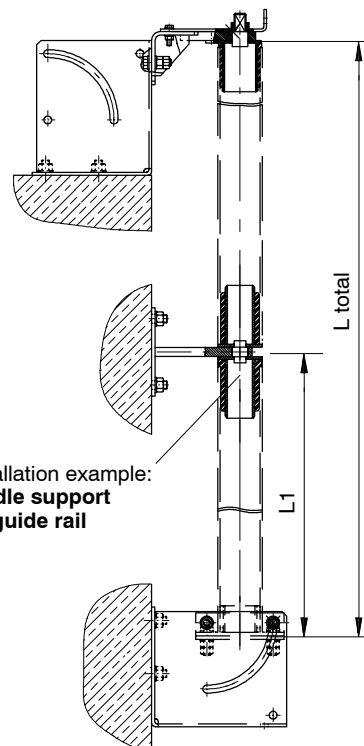
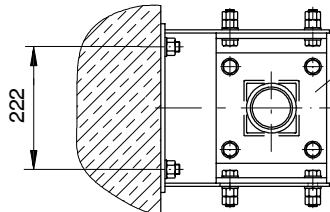
Installation example:
Wall-mounted with bracket



Installation example:
Bracket for floor inclines 0° ... 90°



21 SBB/UWB



Installation example:
**Middle support
for guide rail**

L1 should be located as closely above the mixer as possible, to ensure that the forces generated are safely transferred from the guide rail into the wall!

Accessories 21 - Options

**For mounting on the top of the tank or tank wall, with horizontal swivelling option, vertically adjustable
Amamix 215, 300, 400, 500, 600**

| Item No. | Accessories | Description |
|-------------------|---|---|
| 21 KBR | Additional bracket (top of tank) | For mounting on the top of the tank, holding the upper holder of the guide rail |
| | incl. 2 additional composite anchor bolts | Composite anchor bolts for mounting upper holder on the top of the tank (concrete grade at least B25) |
| 21 SBB/UWB | Additional bracket (lower wall mounting/ inclined tank floor) | Used for inclined tank floors or for lower wall mounting, e.g. above existing wall berms or aerators; adjustable from 0° to approx. 90° |
| 21 MIAS | Middle support for square guide rail | For supporting the square guide rail on the tank wall in case of installation depths ≥ 6 m; Guide rails up to 6 m long do not generally require a middle support, except for tanks where the set jet direction and wall reflections (e.g. as a result of tank shape and installations) result in increased forces acting on the guide rail and upper and lower holders. In this case a middle support must be provided for the guide rail, like for guide rails >6 m. |
| | Incl. 4 nos. composite anchor bolts | Composite anchor bolts for mounting the middle support on the concrete tank wall; concrete grade at least B25 |

| Item No. | Description | for size | Material | Material No. | Weight [kg] |
|-------------------|---|--------------------|----------|--------------|-------------|
| 21 KBR | Additional bracket for upper wall mounting, incl. 2 additional composite anchor bolts | Amamix 215 ... 600 | 1.4571 | 19 553 876 | 16.0 |
| 21 SBB/UWB | Additional bracket for inclined tank floors or lower wall mounting | Amamix 215 ... 600 | 1.4571 | 19 553 842 | 22.7 |
| 21 MIAS | Middle support for square guide rail 60x60x3 | Amamix 215/300 | 1.4571 | 19 553 877 | 6.9 |
| | Middle support for square guide rail 100x100x5 | Amamix 400/500/600 | 1.4571 | 19 553 878 | 9.8 |
| | all incl. 4 nos. composite anchor bolts | | | | |

Accessories 21 - Options

Amamix 215 and 300 with clamp for guide rail 100x100

The standard version of Amamix 215/300 with accessories set no. 21 is designed for the (square) guide rail measuring 60x60x3 (new installations).

If a square guide rail 100x100 has been specified, or if a square guide rail 100x100 is already installed (e.g. in the case of KSB replacement units), Amamix 215/300 units can be retrofitted with the following clamps instead of the standard clamps:

- Amamix 215/300 material variant G - Clamp 19 556 701
- Amamix 215/300 material variant C - Clamp 19 202 242

The clamp is already provided with the holes required for fastening the Amamix 215/300 unit.
Mounting to the motor housing cover: 4 cheese-head screws M8; tightening torque 17 Nm.

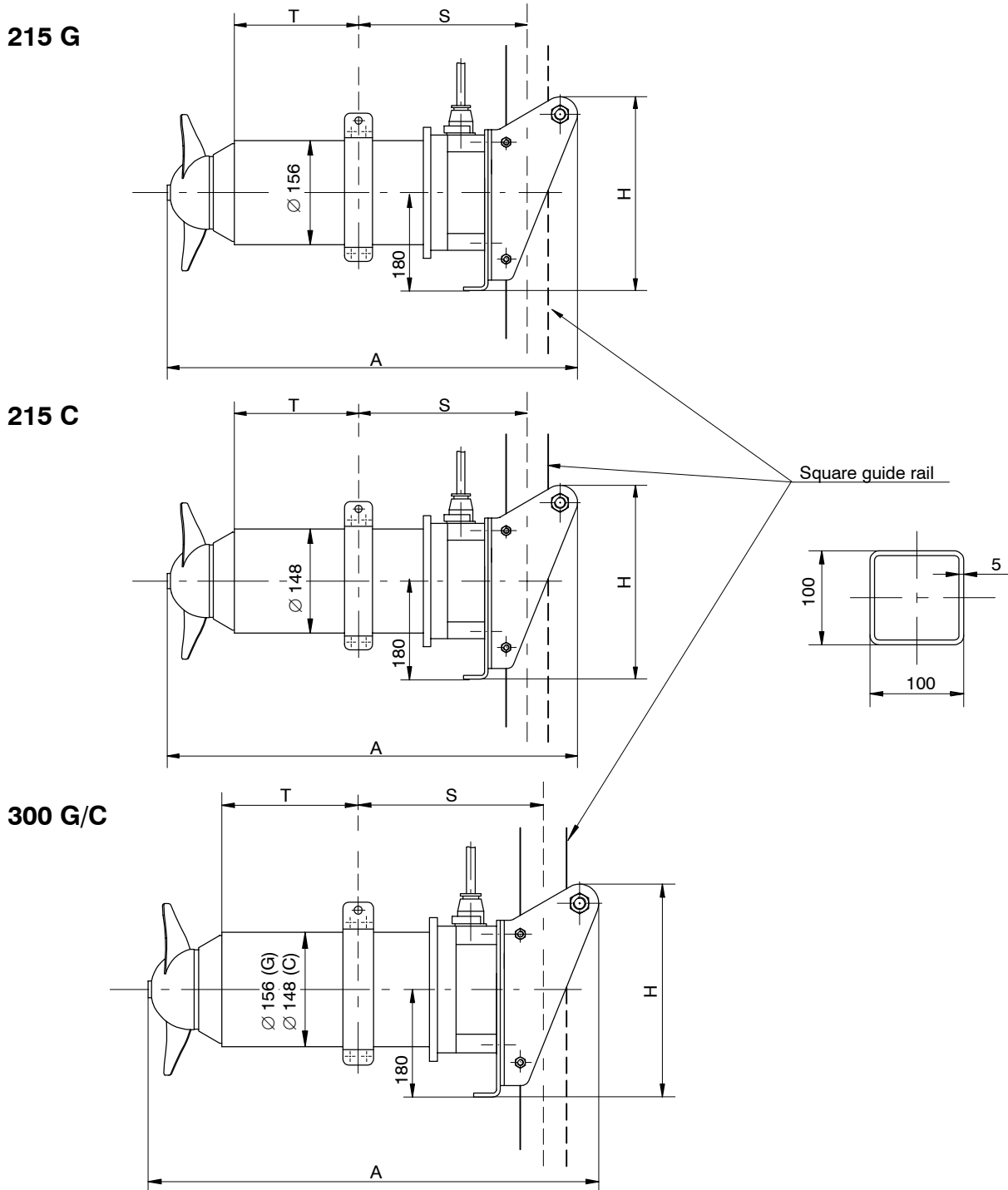
Compared to the technical data given in the type series booklet for the standard version (clamp for square guide rail 60x60x3) (dimensions sheet), the complete unit weight, incl. clamp and 10-metre power cable, will be increased by 9.1 kg ("G" variant) or 5.1 kg ("C" variant).

The heavy bracket also alters dimensions A and H as well as the position of the supporting clamp, as shown in the table on the next page.

All dimensions not listed in the table remain the same.

Please note:

Holding brackets already mounted on the guide rail (for adjusting the unit's distance from the floor) do not need to be replaced. Once the unit is lowered, it will rest on these brackets via the flexible rubber buffers mounted on the clamp.

Accessories 21 - Options
Amamix 215 and 300 with clamp for guide rail 100x100

Dimensions table

| Size Amamix ... | Dimensions [mm] | | | |
|--------------------------------|-----------------|-----|-----|-----|
| | A | H | S | T |
| V 2 ... /1 4 UDG/YDG | 645 | 405 | 215 | 270 |
| V 2 ... /2 4 UDG/YDG | | | | 240 |
| C 2 ... /1 4 UMC/YMC | | | 225 | 235 |
| C 2 ... /2 4 UMC/YMC | | | | 230 |
| C 3 ... /1 6 UDG/YDG / UMC/YMC | 635 | | 225 | 230 |
| C 3 ... /2 6 UDG/YDG / UMC/YMC | 705 | | 265 | 260 |

Accessories 21 - Options

Pitch adapter for Amamix 215 ... 600 (except 500/600 G !)

The standard clamp (made of JL1040 in material variant G; 1.4571 in material variant C)
 - item 21 HT (see table on page 31) -
 does not allow an inclined mixer position relative to the guide rail axis.

For such duties (requiring an upward or downward inclination of the mixer jet) an adapter - item 21 ADP - is required.
 This adapter is fitted between the motor housing cover and the clamp. It enables the requisite inclination of the unit axis in increments of 10°, from 40° upwards to 40° downwards.
 (Exception: Amamix 600 C - max. upward and downward pitch of 30°, respectively)

| Item No. | Description | for sizes | Material | Material No. | Weight [kg] |
|---------------|---------------|--|----------|--------------|-------------|
| 21 ADP | Pitch adapter | Amamix 215/300 G Amamix 215/300 C | 1.4571 | 19 554 654 | 4.0 |
| | | Amamix 400 G/C Amamix 500/600 C with motor 312/412/712 | 1.4571 | 19 554 656 | 9.0 |
| | | Amamix 600 C with motor 812 | 1.4571 | 19 554 655 | 9.0 |
| | | Amamix 500/600 G | -- | -- | -- |
| | | Pitch adaptation is not possible on Amamix 500/600 G ! On Amamix 600 G, the clamp 19 202 242 (which is used as standard clamp on Amamix 400 C and 600 C) cannot be mounted on the motor housing cover due to different connection dimensions. | | | |

Installation of the pitch adapter is shown on page 37.

Note: On the "C" variant, the adapter can be mounted on the standard clamp in 1.4571 without any problems.
 On the "G" variant, the adapter cannot be mounted on the standard clamp in JL1040!
 In this case, the following clamps made of 1.4571 must be used instead of the standard clamp:
 - Amamix 215 and 300: Clamp Mat. No. 19 202 241
 - Amamix 400: Clamp Mat. No. 19 202 242

Pitch adaptation between 0° and 40° in steps of 10° will change dimension L, compared to horizontal mixer installation (cf. dimensions tables, pages 12 to 17); also, the position of the supporting clamp (sling point for lifting and lowering the unit) will be changed.

When the mixer is pitched downwards (see page 39), it may not be possible to shift the supporting clamp towards the motor housing cover far enough to still allow smooth lifting and lowering of the mixer (approx. 5° inclination of the clamp).
 In such cases, the supporting strap shown must be used (included in the adapter assembly), which provides the user with a suitable sling point. The requisite sling point is determined by the specified hole.

e.g.: **Unit V222/14 UMG** → corresponds to the following data given in the table on page 39 (**downward** pitch)

- **V2... / 14...** → Column **Angle 20° "downward"**
- Column **Tu - 2.L*** ~ suspension strap needed → suspend unit from the **2nd hole from the left.**

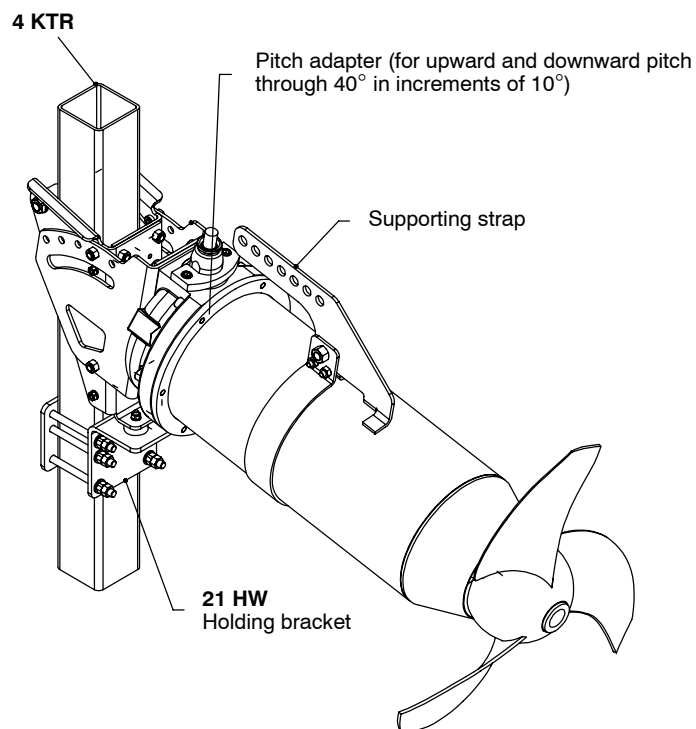
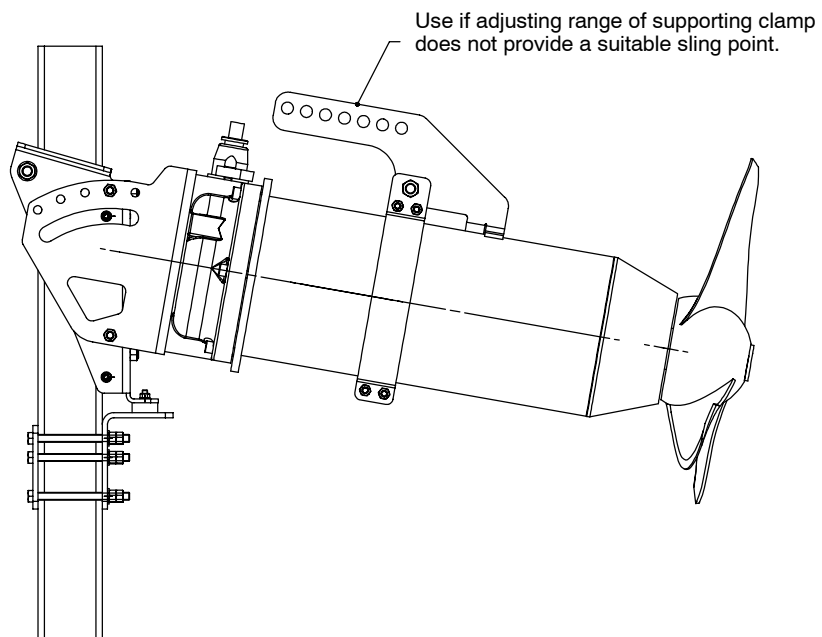
The electrical connection cable is to be fixed with the flexible tubing and cable connectors included in the supply, and is thus protected (a.o. against chafing).

The applicable dimensions according to pitch direction and angle are listed in the tables on the following pages:

- Pitch adjusted in **upward** direction page 38
- Pitch adjusted in **downward** direction page 39

Accessories 21 - Options

Pitch adapter for Amamix 215 ... 600 (except 500/600 G !)

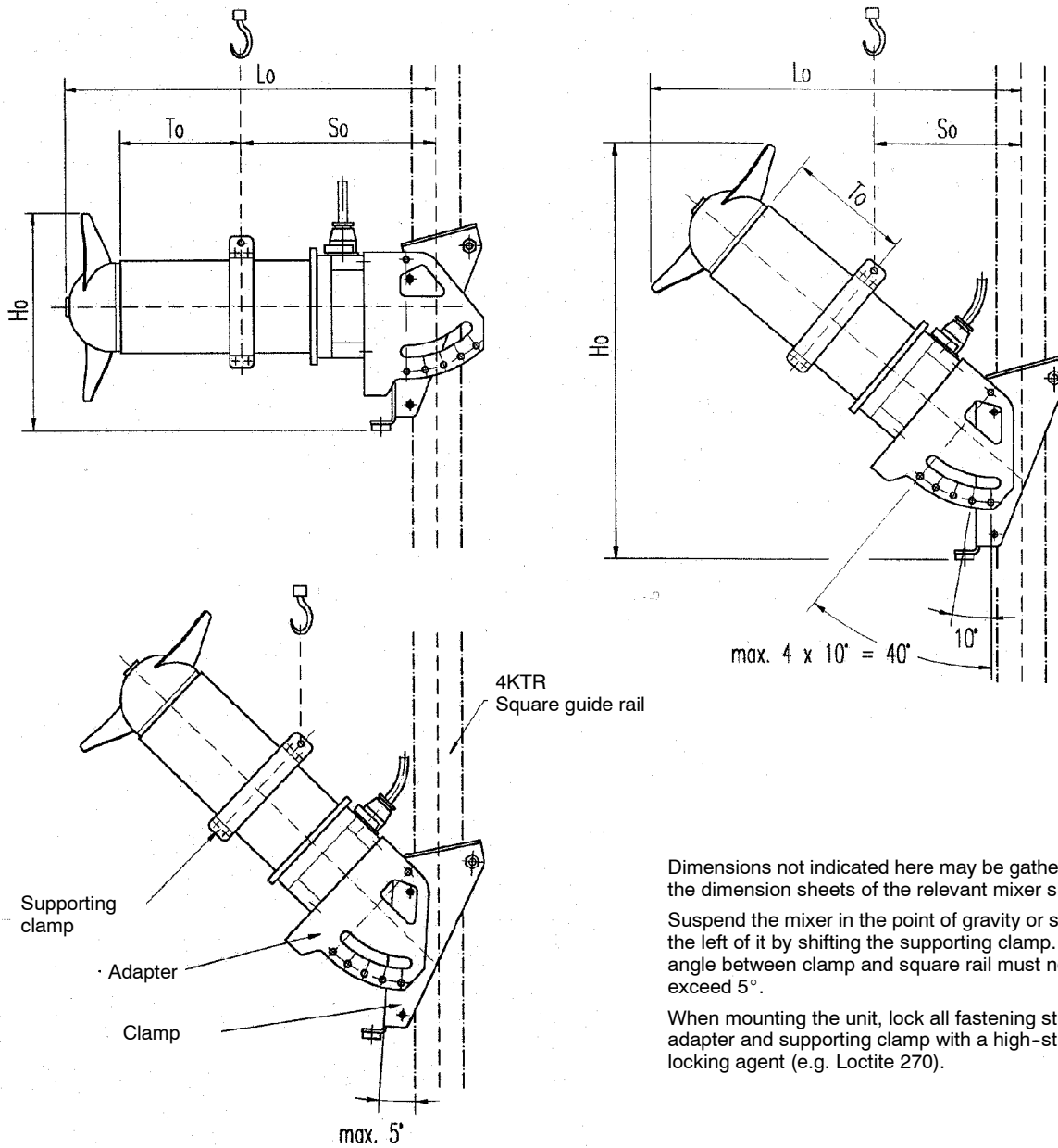


UG 1058 974

Accessories 21 - Options

Pitch adapter for Amamix 215 ... 600 (except 500/600 G !)

Unit with adapter, pitch adjusted in upward direction



Dimensions not indicated here may be gathered from the dimension sheets of the relevant mixer size.

Suspend the mixer in the point of gravity or slightly to the left of it by shifting the supporting clamp. The angle between clamp and square rail must not exceed 5°.

When mounting the unit, lock all fastening studs of adapter and supporting clamp with a high-strength locking agent (e.g. Loctite 270).

Dimensions table

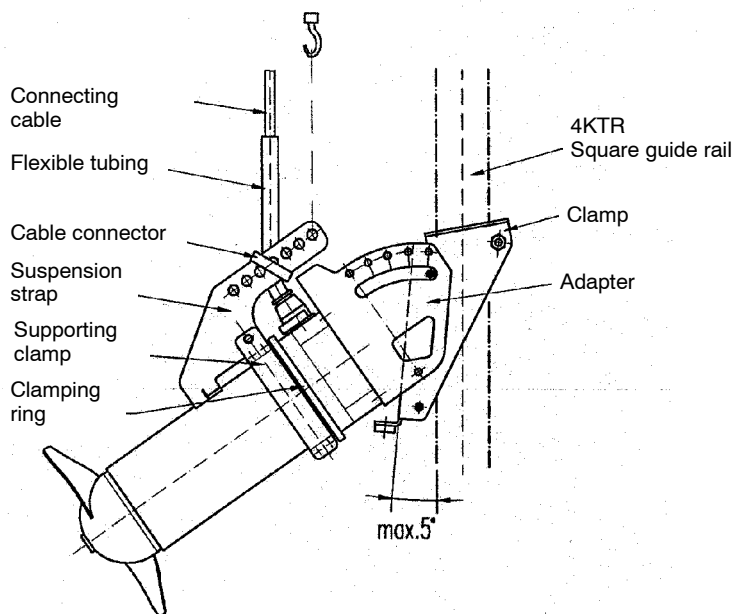
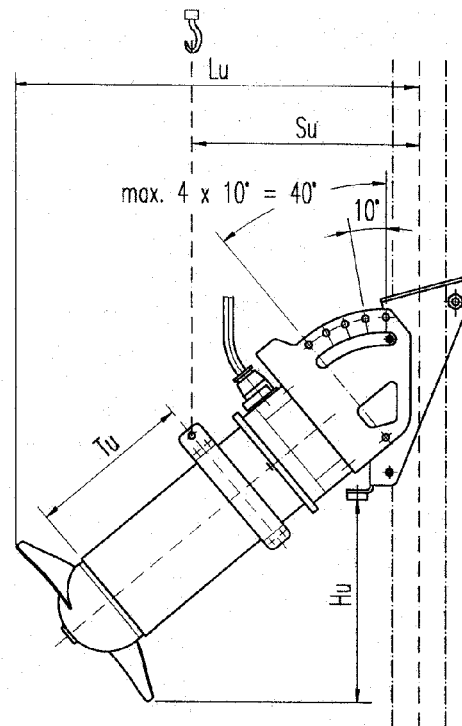
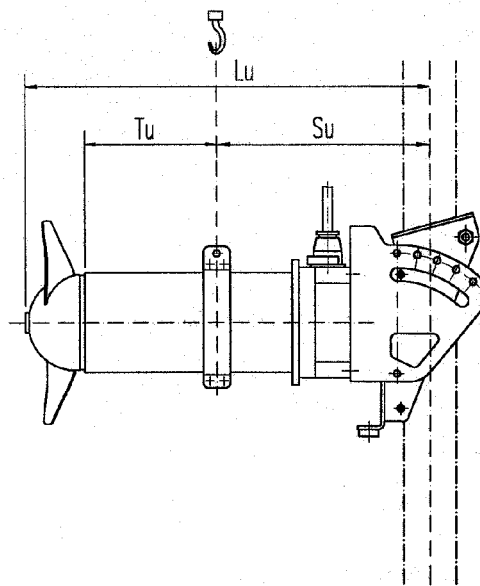
Dimension in mm

| Size | Pitch = 0° | | | | Pitch = 10° | | | | Pitch = 20° | | | | Pitch = 30° | | | | Pitch = 40° | | | |
|----------------|------------|-----|-----|-----|-------------|------|-----|-----|-------------|------|-----|-----|-------------|------|-----|-----|---------------------------|-----|-----|-----|
| | Ho | Lo | So | To | Ho | Lo | So | To | Ho | Lo | So | To | Ho | Lo | So | To | Ho | Lo | So | To |
| V2... /1 4... | 260 | 560 | 225 | 265 | 350 | 585 | 240 | 245 | 440 | 595 | 250 | 220 | 520 | 585 | 255 | 190 | 595 | 560 | 260 | 150 |
| V2... /2 4... | 260 | 560 | 230 | 260 | 350 | 585 | 245 | 240 | 440 | 595 | 255 | 215 | 520 | 585 | 260 | 185 | 595 | 560 | 260 | 150 |
| C2... /1 4... | 270 | 560 | 230 | 230 | 360 | 585 | 250 | 210 | 450 | 595 | 255 | 190 | 530 | 590 | 260 | 165 | 600 | 565 | 260 | 135 |
| C2... /2 4... | 270 | 560 | 235 | 225 | 360 | 585 | 255 | 205 | 450 | 595 | 260 | 185 | 530 | 590 | 265 | 160 | 600 | 565 | 260 | 130 |
| C3... /1 6... | 320 | 560 | 240 | 220 | 410 | 595 | 260 | 200 | 495 | 615 | 265 | 180 | 570 | 615 | 270 | 155 | 640 | 600 | 265 | 125 |
| C3... /2 6... | 320 | 630 | 275 | 255 | 420 | 665 | 295 | 230 | 520 | 680 | 315 | 200 | 605 | 675 | 315 | 170 | 685 | 650 | 305 | 140 |
| C4... /2 8... | 460 | 770 | 330 | 320 | 580 | 810 | 350 | 295 | 690 | 830 | 370 | 260 | 795 | 825 | 380 | 220 | 885 | 795 | 380 | 170 |
| C4... /4 8... | 460 | 770 | 340 | 310 | 580 | 810 | 360 | 285 | 690 | 830 | 380 | 250 | 795 | 825 | 390 | 210 | 885 | 795 | 390 | 160 |
| C5 22 /4 12... | 480 | 860 | 400 | 290 | 620 | 920 | 425 | 260 | 750 | 960 | 440 | 225 | 870 | 965 | 445 | 185 | Pitch must not exceed 30° | | | |
| C5 23 /4 12... | 510 | 860 | 400 | 290 | 645 | 920 | 425 | 260 | 770 | 960 | 440 | 225 | 885 | 965 | 445 | 185 | | | | |
| C6... /4 12... | 550 | 860 | 400 | 290 | 685 | 930 | 425 | 260 | 810 | 970 | 440 | 225 | 920 | 985 | 445 | 185 | | | | |
| C6... /8 12... | 550 | 985 | 460 | 350 | 705 | 1050 | 485 | 320 | 850 | 1085 | 500 | 280 | 980 | 1090 | 505 | 235 | | | | |

Accessories 21 - Options

Pitch adapter for Amamix 215...600 (except 500/600 G !)

Unit with adapter, pitch adjusted in downward direction



Dimensions not indicated here may be gathered from the dimension sheets of the relevant mixer size.

Suspend the mixer in the point of gravity or slightly to the left of it by shifting the supporting clamp. The angle between clamp and square rail must not exceed 5°.

If the maximum travel of the supporting clamp is not sufficient, mount the suspension strap. Protect the cable by running it through the flexible tubing and fix the cable to the suspension strap with the cable connectors.

When mounting the unit, lock all fastening studs of adapter and supporting clamp with a high-strength locking agent (e.g. Loctite 270).

Dimensions table

Dimension in mm

| Size | | Pitch = 0° | | | | Pitch = 10° | | | | Pitch = 20° | | | | Pitch = 30° | | | | Pitch = 40° | | | |
|-------|----------|------------|-----|-----|-----|-------------|------|-----|------|-------------|------|-----|------|-------------|------|-----|------|---------------------------|-----|-----|------|
| | | Hu | Lu | Su | Tu | Hu | Lu | Su | Tu | Hu | Lu | Su | Tu | Hu | Lu | Su | Tu | Hu | Lu | Su | Tu |
| V2... | /1 4... | < 0 | 560 | 225 | 265 | 30 | 585 | 240 | 1.L* | 120 | 595 | 250 | 2.L* | 200 | 585 | 240 | 4.L* | 275 | 560 | 230 | 6.L* |
| V2... | /2 4... | < 0 | 560 | 230 | 260 | 30 | 585 | 240 | 1.L* | 120 | 595 | 250 | 2.L* | 200 | 585 | 240 | 4.L* | 275 | 560 | 230 | 6.L* |
| C2... | /1 4... | < 0 | 560 | 230 | 230 | 40 | 585 | 250 | 245 | 130 | 595 | 250 | 2.L* | 210 | 590 | 260 | 3.L* | 280 | 565 | 245 | 5.L* |
| C2... | /2 4... | < 0 | 560 | 235 | 225 | 40 | 585 | 250 | 245 | 130 | 595 | 250 | 2.L* | 210 | 590 | 260 | 3.L* | 280 | 565 | 245 | 5.L* |
| C3... | /1 6... | < 0 | 560 | 240 | 220 | 90 | 595 | 250 | 245 | 175 | 615 | 250 | 2.L* | 250 | 615 | 260 | 3.L* | 320 | 600 | 245 | 5.L* |
| C3... | /2 6... | < 0 | 630 | 275 | 255 | 100 | 665 | 285 | 280 | 195 | 680 | 285 | 305 | 285 | 675 | 285 | 2.L* | 365 | 650 | 270 | 4.L* |
| C4... | /2 8... | < 0 | 770 | 330 | 320 | 115 | 810 | 335 | 350 | 225 | 830 | 355 | 1.L* | 330 | 825 | 340 | 3.L* | 420 | 795 | 330 | 5.L* |
| C4... | /4 8... | < 0 | 770 | 340 | 310 | 115 | 810 | 345 | 340 | 225 | 830 | 355 | 1.L* | 330 | 825 | 340 | 3.L* | 420 | 795 | 330 | 5.L* |
| C5 22 | /4 12... | 20 | 860 | 400 | 290 | 160 | 920 | 415 | 325 | 290 | 960 | 420 | 360 | 410 | 965 | 420 | 390 | Pitch must not exceed 30° | | | |
| C5 23 | /4 12... | 50 | 860 | 400 | 290 | 185 | 920 | 415 | 325 | 310 | 960 | 420 | 360 | 425 | 965 | 420 | 390 | | | | |
| C6... | /4 12... | 90 | 860 | 400 | 290 | 225 | 930 | 415 | 325 | 350 | 970 | 420 | 360 | 460 | 985 | 420 | 390 | | | | |
| C6... | /8 12... | 90 | 985 | 460 | 350 | 245 | 1050 | 475 | 385 | 390 | 1085 | 475 | 420 | 520 | 1090 | 470 | 455 | | | | |

*) see note page 36

Standard accessories 4

Cranes and Lifting equipment

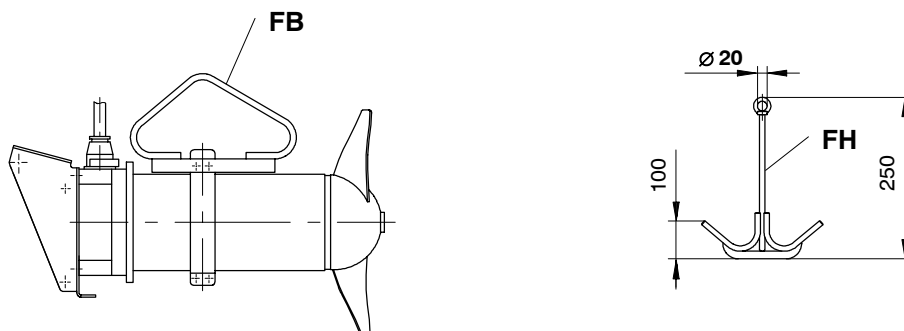
Amamix 215, 300, 400, 500, 600

| Lifting equipment | Lifting ropes | Rope tensioning device / bollard |
|-------------------|---------------|----------------------------------|
| | | |

| Item No. | Accessories | Description |
|-------------|----------------------------------|--|
| SEIL 1.4401 | Lifting rope | Stainless steel, diam. 5 mm, 12 m/18 m/22 m long, made of 1.4401, for cranes 4.2, 4.4, 4.6 and 4.8, make Haacon; rope is attached to the sling point on the mixer and can be fastened on the winch of the above cranes; when transportable cranes are used, the rope remains attached to the mixer after having been removed from the winch and is fastened to a rope tensioning device on the tank edge |
| SP | Rope tensioning device / bollard | For locking the lifting ropes, item No. SEIL 1.4401, of cranes (make Haacon) on the tank edge or railing |
| SEIL PP | Lifting rope | Lifting rope made of polypropylene synthetic fibres of excellent chemical resistance, with connecting loops at intervals of 1 m; available in fixed lengths of 5 m |
| FH | Lifting hook | For mounting on the lifting gear of the crane (lifting chain/rope) when using transportable cranes (e.g. if the crane used is different from the cranes supplied by KSB); to facilitate handling we recommend the combination of crane 4.2, 4.4, 4.6 or 4.8 with the stainless steel lifting rope |
| FB | Lifting clamp | For mounting on the lifting lug |

Alternative:

Combination: Lifting clamp (FB) (on the mixer) / Lifting hook (FH) (on the lifting rope of the crane)



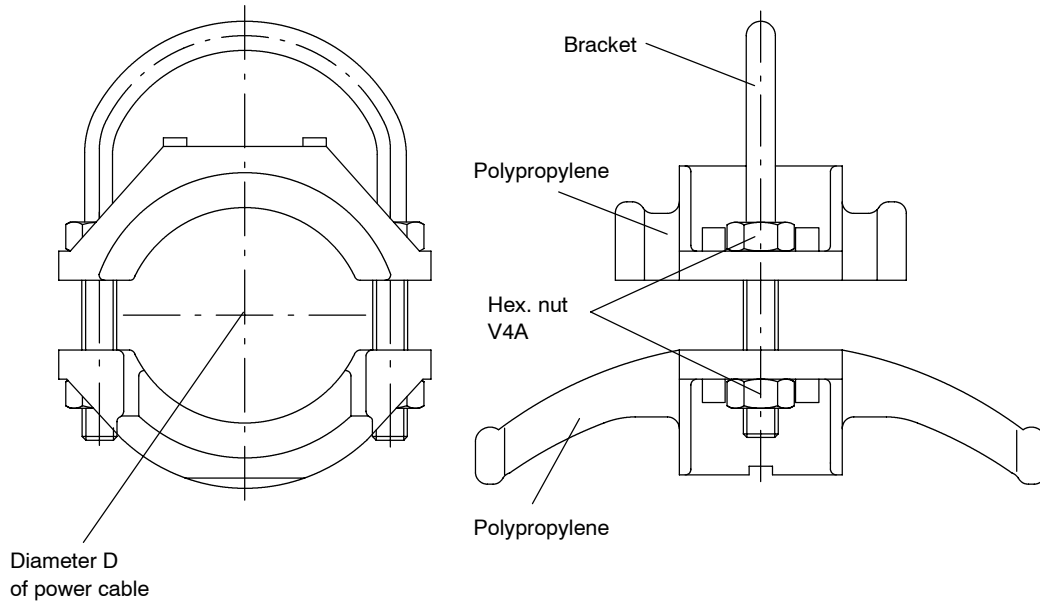
0W 384 457-00

Standard accessories 4
Cranes and Lifting equipment
Amamix 215, 300, 400, 500, 600

| Item No. | Description | for size | Material | Material No. | Weight [kg] |
|--|--|---------------------------------|---------------|--------------|-------------|
| SEIL 1.4401 | Lifting rope for cranes 4.2 / 4.4 / 4.6 and 4.8, remains attached to the mixer; can be used for transportable cranes | Amamix 215 ... 600 | 1.4401 | | |
| | Ø=5 mm, L=12 m | | | 11 304 621 | 1.9 |
| | Ø=5 mm, L=18 m | | | 11 306 713 | 2.7 |
| | Ø=5 mm, L=22 m | | | 11 306 712 | 3.5 |
| SP | Rope tensioning device / bollard for Haacon cranes 4.6 and 4.8 | Amamix 215 ... 600 | 1.4571 | 19 554 260 | 1.5 |
| SEIL PP | Lifting rope Load capacity 180 kg, 5 m | Select depending on unit weight | Polypropylene | 11 185 207 | 2.0 |
| | Lifting rope Load capacity 450 kg, 5 m | | Polypropylene | 11 190 024 | 5.0 |
| | For larger installation depths, several 5-metre ropes shall be used. Connection by rope loops | | | | |
| FH | Lifting hook Load capacity max. 500 kg | Amamix 215 ... 600 | 1.4301 | 19 219 613 | 2.0 |
| FB | Lifting clamp | Amamix 215 | 1.4571 | 19 219 830 | 1.1 |
| | | Amamix 300 (with motor 1 6) | | | |
| | | Amamix 300 (with motor 2 6) | 1.4571 | 19 219 831 | 1.3 |
| | | Amamix 400 | 1.4571 | 19 219 832 | 1.8 |
| | | Amamix 500/600 | | | |
| See Type series booklet "KSB Lifting Equipment" 1596.5-10 ! | | | | | |

Other accessories: cable support (KH)

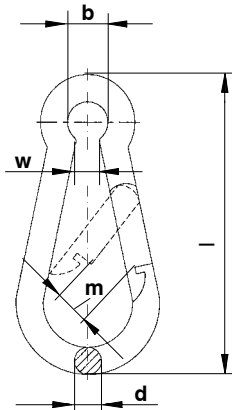
For supporting the power cable at the lifting rope or the tank edge



| Variant | Diameter D | Art. No. | Material No. |
|---------|------------|--------------|--------------|
| 01 | 17-25 mm | 25 NO 20 433 | 11 306 562 |
| 00 | 10-16 mm | 16 NO 20 433 | 11 306 561 |

Please refer to the power cable data given in the motor catalogue !

Carbine hook

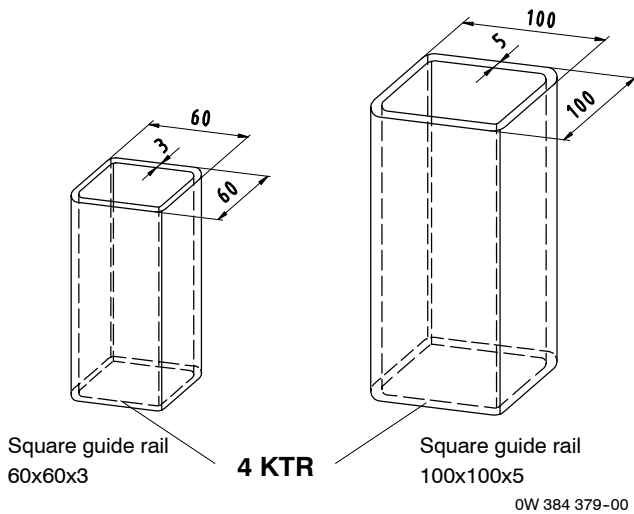


| Variant | Size | Load capacity | b | d | l | m | w | Weight per 100 pcs. approx. [kg] |
|---------|------|---------------|---|---|----|---|---|----------------------------------|
| 00 | 60x6 | 150 | 9 | 6 | 60 | 9 | 5 | 2.7 |

| Item No. | Description | for size | Material | Material No. | Weight [kg] |
|----------|--|--|--|--------------|-------------|
| KH | Cable support / Cable clamp incl. carbine hook | for power cables 7x1.5 and 8x1.5 | Synthetic material / A4; carbine hook A4 | 19 555 522 | 0.15 |
| | | for power cables 12x1.5 and 12x2.5 ; 7x4+5x1.5 and 7x6+5x1.5 | | 19 555 523 | 0.20 |

Guide rails

**KSB supply or supplied by customer;
For accessories 7 and 21**



- Guide rails as per DIN 59411, packed in tubular foil
- Lengths >6m can be attained by adding guide rail extensions (3 metres and 6 metres long) at the site (welding and subsequent treatment to be performed at the site in accordance with applicable regulations)

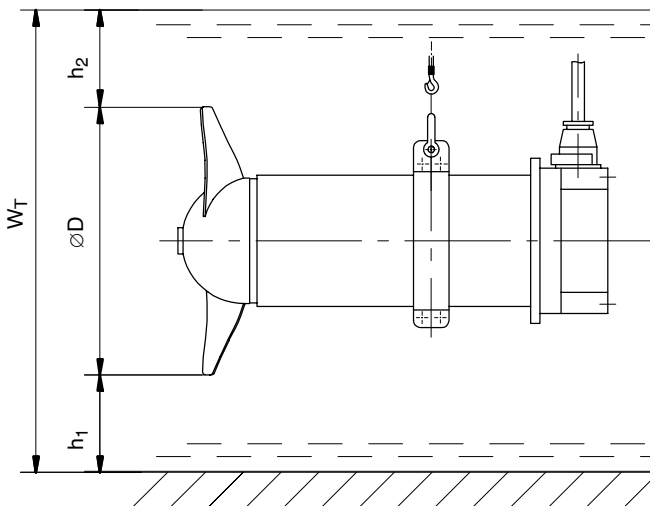
| Item No. | Description | for size | Material | Material No. | Weight [kg] |
|----------------------------------|----------------------------------|--------------------|------------|--------------|-------------|
| 4 KTR | Guide rail 60x60x3; length 1.5 m | Amamix 215/300 | 1.4301 | 11 307 851 | 7.85 |
| | | | 1.4571 | 11 307 853 | 7.85 |
| | Guide rail 60x60x3; length 3 m | Amamix 215/300 | 1.4301 | 11 304 010 | 15.7 |
| | | | 1.4571 | 11 304 011 | 15.7 |
| | Guide rail 60x60x3; length 6 m | Amamix 215/300 | 1.4301 | 11 304 596 | 31.3 |
| | | | 1.4571 | 11 304 597 | 31.3 |
| | Guide rail 100x100x5; length 3 m | Amamix 400/500/600 | 1.4301 | 11 304 598 | 43.2 |
| | | | 1.4571 | 11 304 599 | 43.2 |
| Guide rail 100x100x5; length 6 m | Amamix 400/500/600 | 1.4301 | 11 304 600 | 86.4 | |
| | | 1.4571 | 11 304 601 | 86.4 | |

Minimum submergence and wall/floor clearance

Recommended distance from the floor, h_1 , and liquid level above the pump, h_2 , for continuous operation.

The distance from vertical walls should also correspond to distance h_1 . If there is more than one mixer, these must be installed at a minimum distance of $\varnothing D$ from each other in consideration of the reflections of the water jet and the flow turbulence.

Minimum submergence / filling level



| $\varnothing D$ [mm] | h_1 min [m] | h_2 min [m] | W_T min [m] |
|----------------------|---------------|---------------|---------------|
| 215 | 0.11 | 0.50 | 0.82 |
| 300 | 0.15 | 0.80 | 1.25 |
| 400 | 0.20 | 0.85 | 1.45 |
| 500 | 0.25 | 0.90 | 1.65 |
| 600 | 0.30 | 1.00 | 1.90 |

With standard accessories 6 (floor mounting) for shallow tanks and ducts, the floor clearance h_1 can be reduced to approx. 50 mm (pre-condition: solid floor / concrete / steel / plastics).